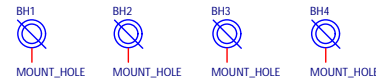
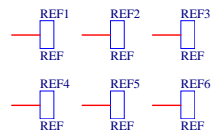

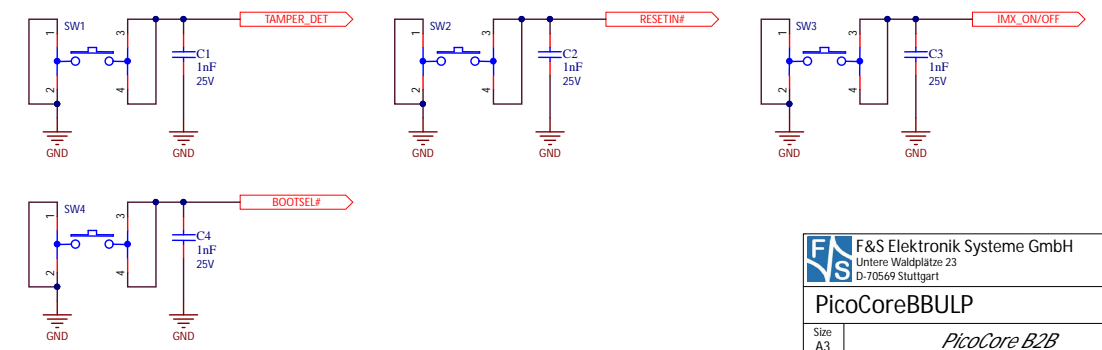
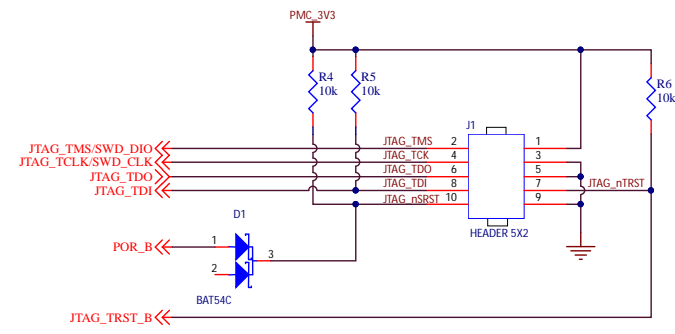
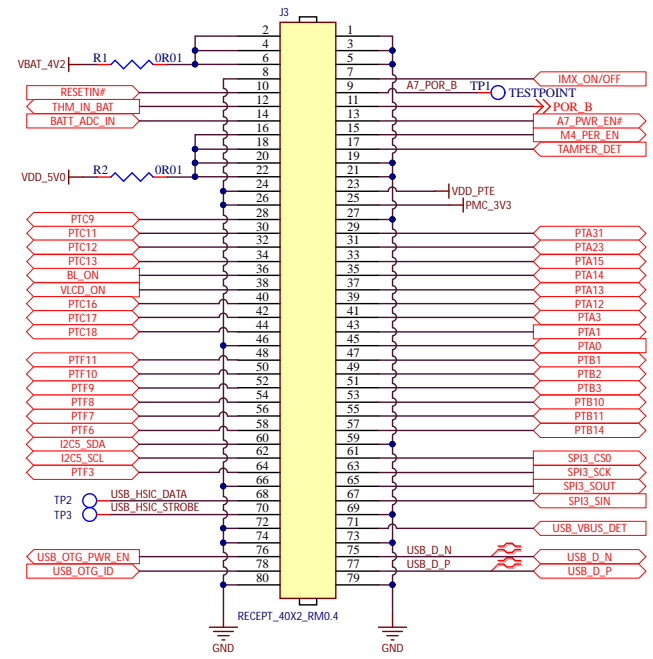
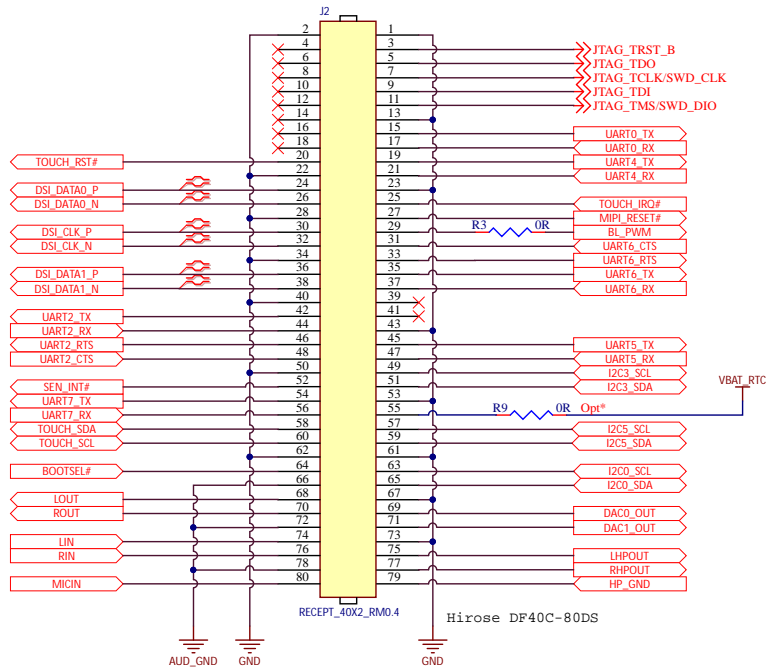


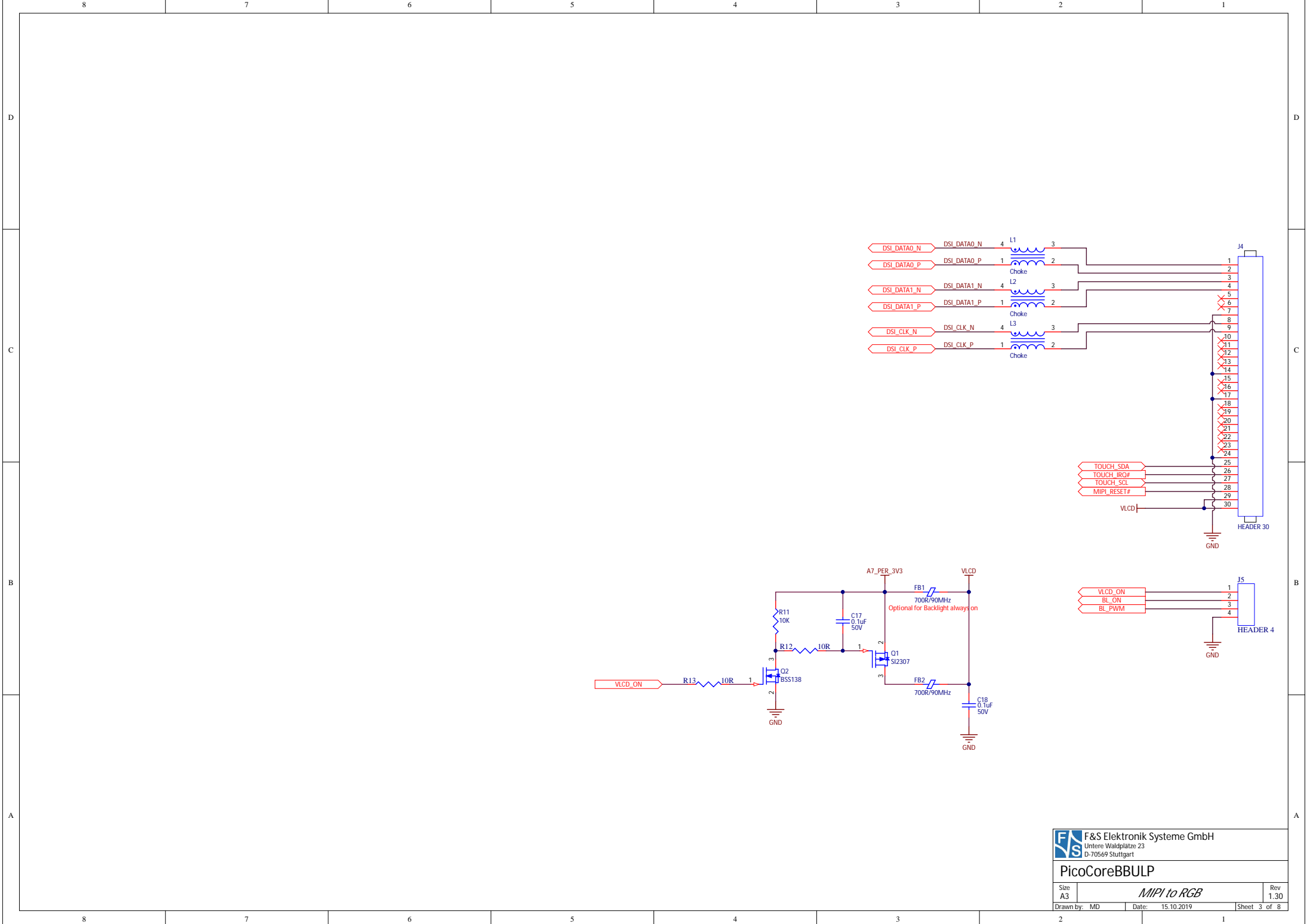
# PicoCoreBBULP

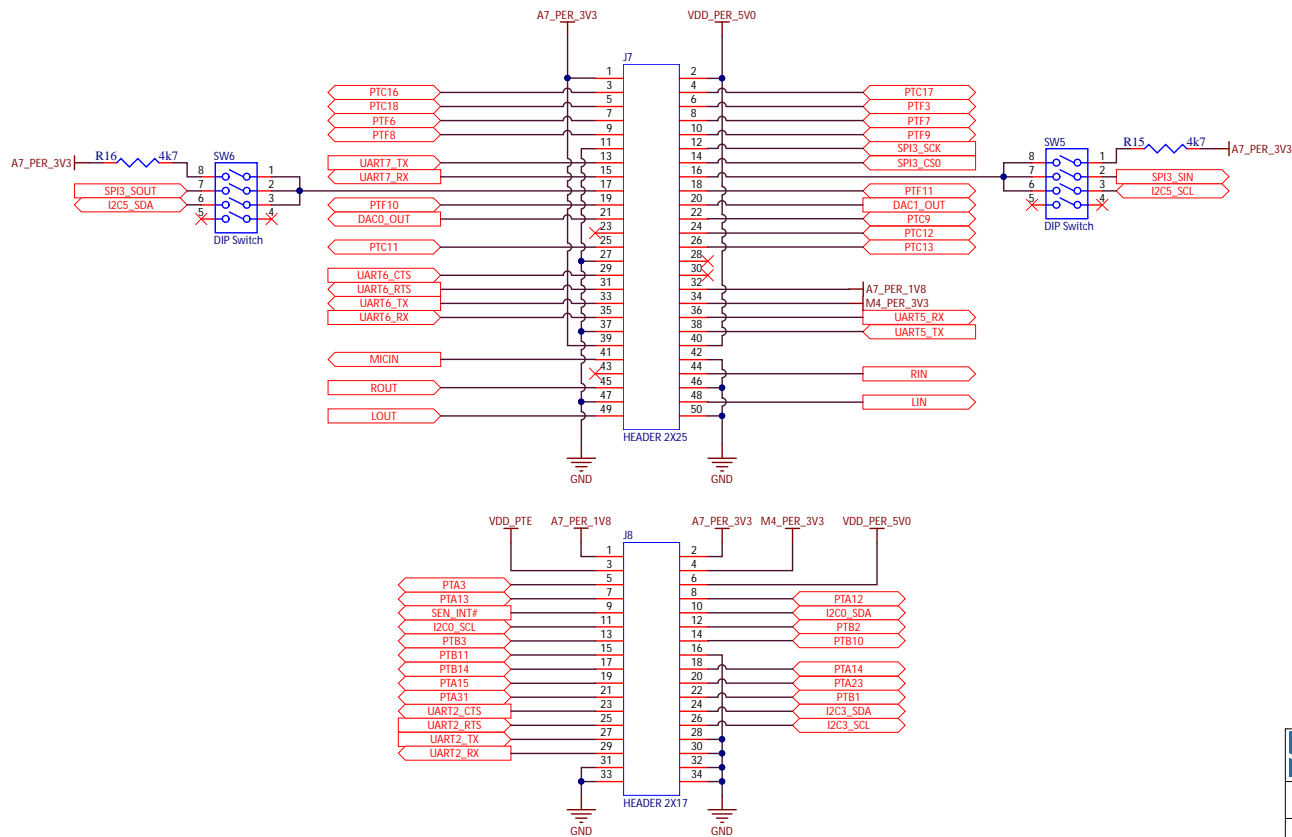
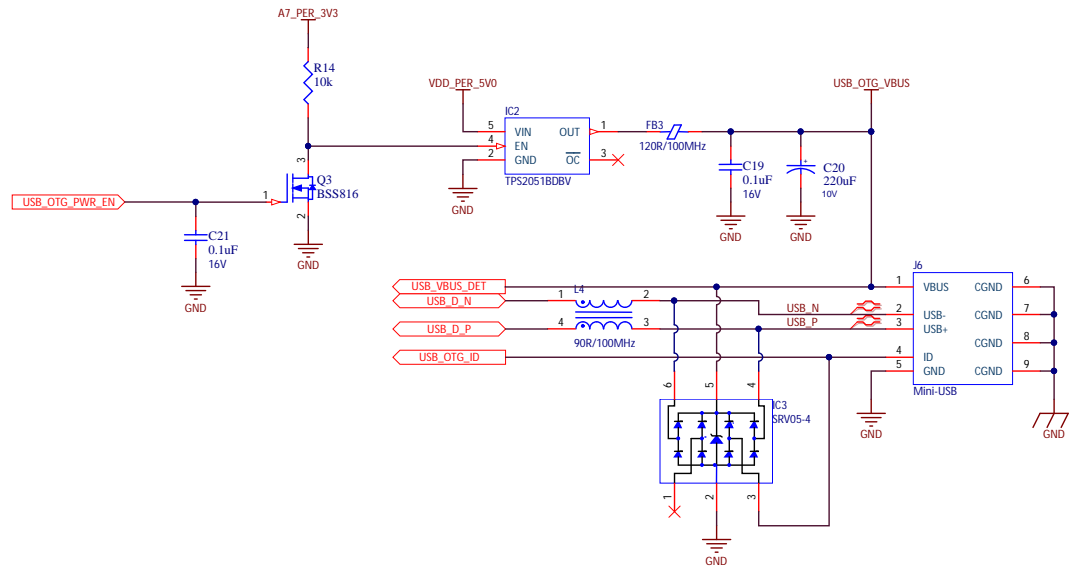
- 01) Title Page
- 02) PicoCore B2B
- 03) MIPI to LVDS
- 04) USB / I/O
- 05) Touch / Audio
- 06) UART
- 07) Load Switch
- 08) DC/DC

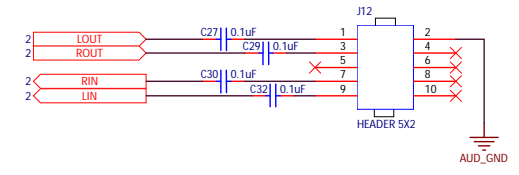
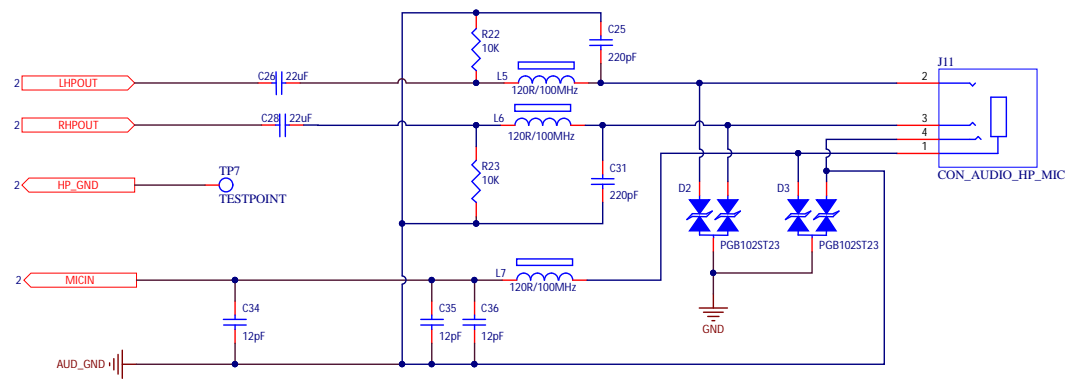
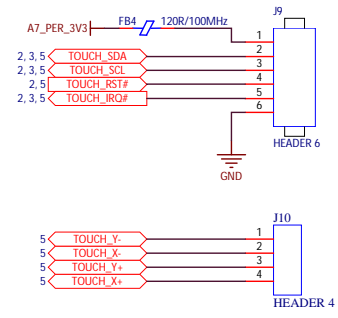
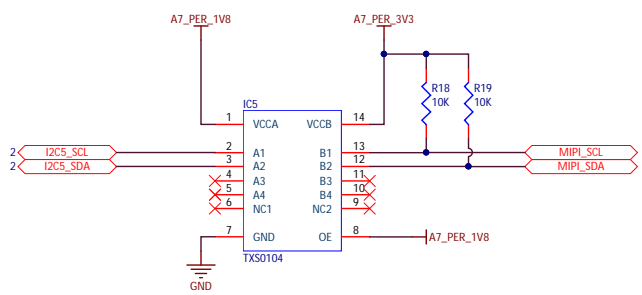
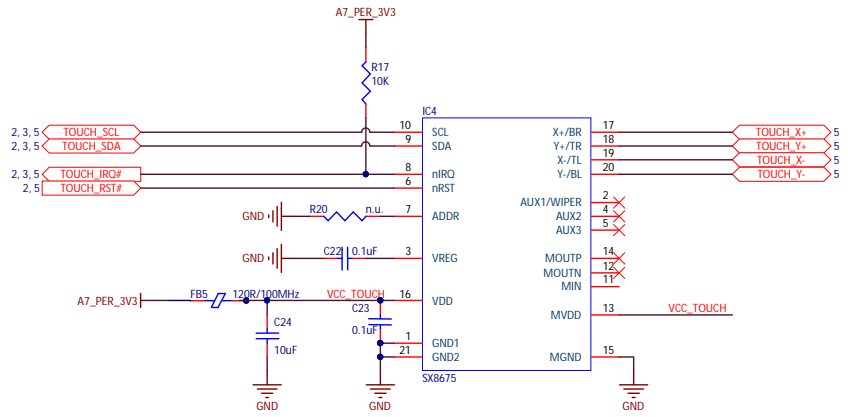


 F&S Elektronik Systeme GmbH Untere Waldplätze 23 D-70569 Stuttgart		
PicoCoreBBULP		
Size A3	<i>Title Page</i>	Rev 1.30
Drawn by: MD	Date: 15.10.2019	Sheet 1 of 8

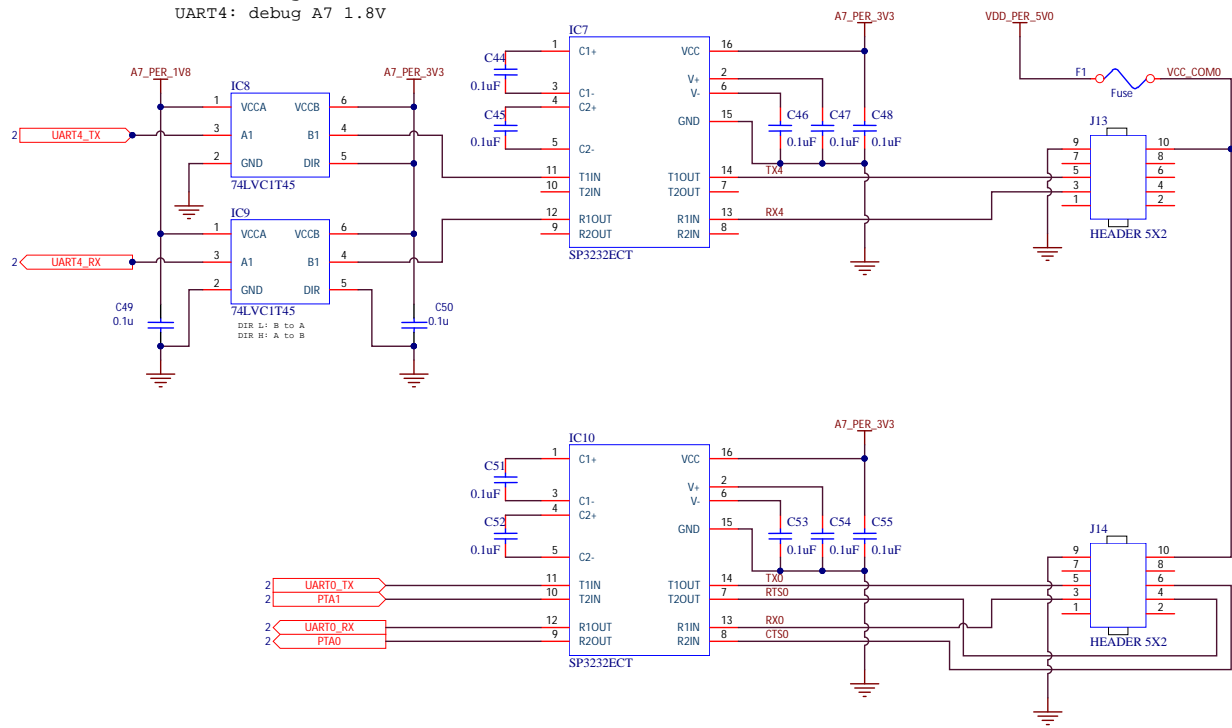


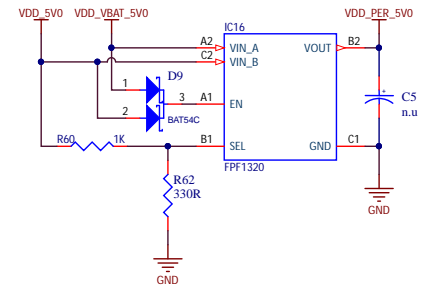
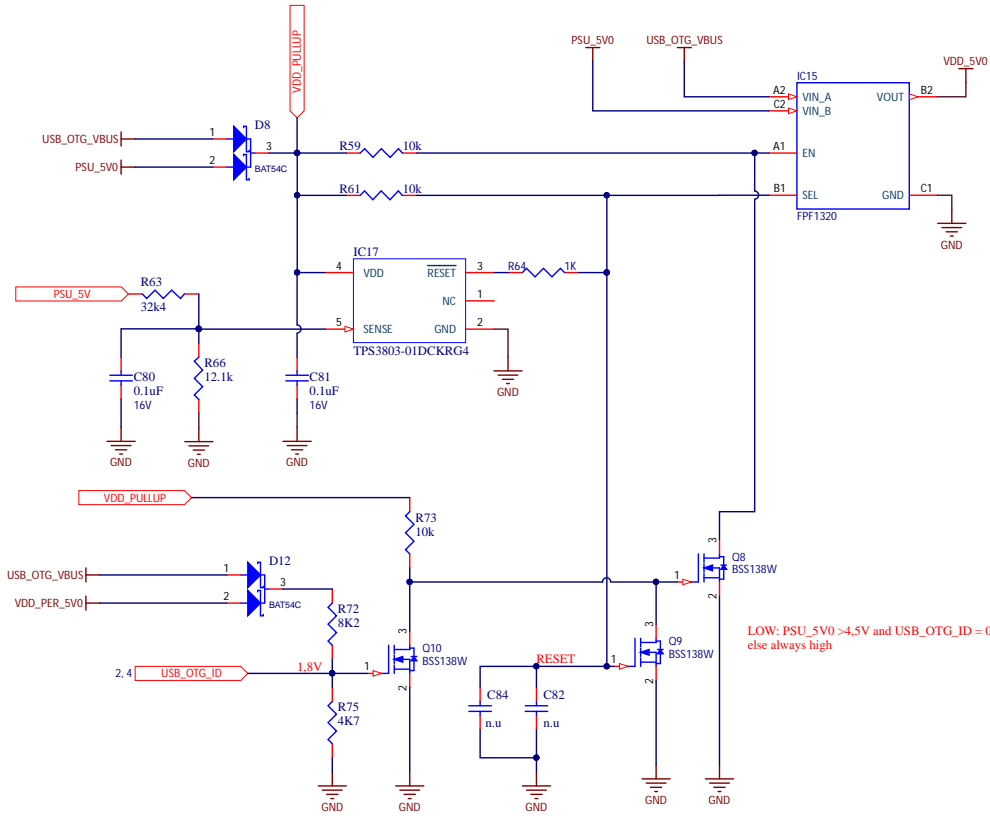




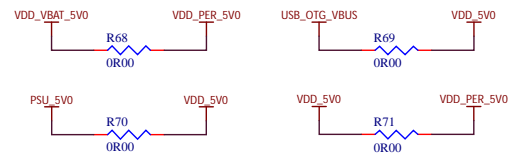


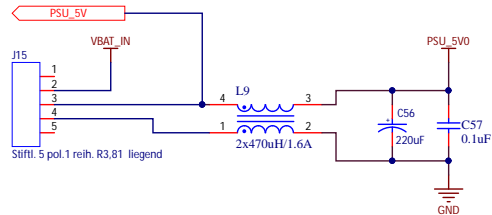
UART0: debug M4 3.3V  
 UART4: debug A7 1.8V



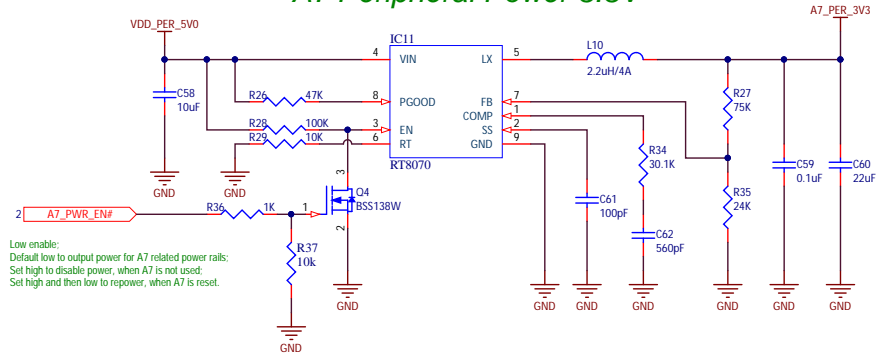


LOW: PSU\_5V0 > 4.5V and USB\_OTG\_ID = 0  
else always high

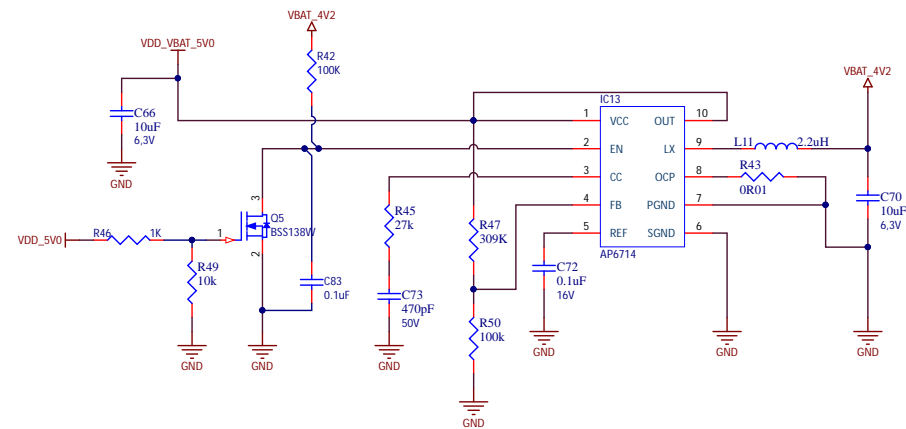
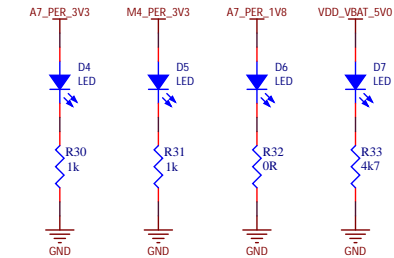
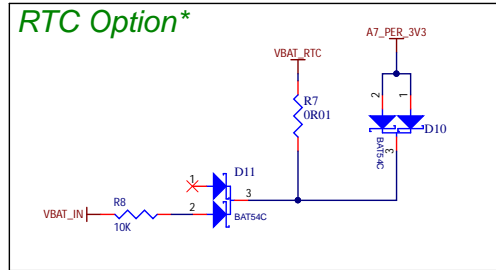




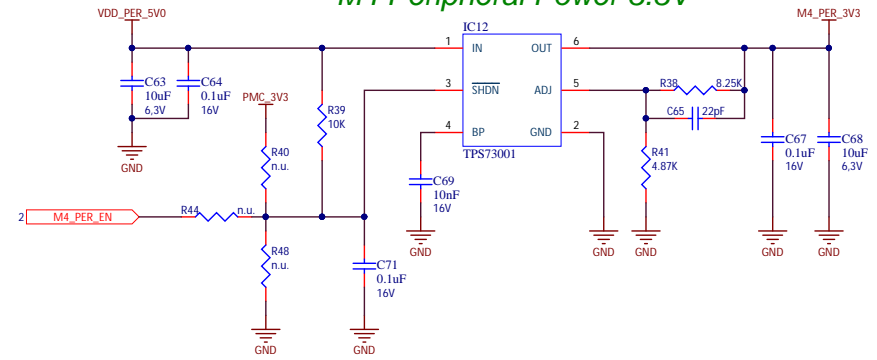
### A7 Peripheral Power 3.3V



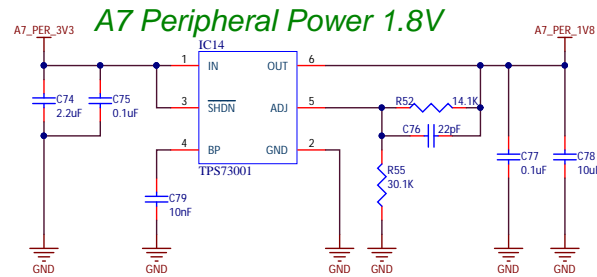
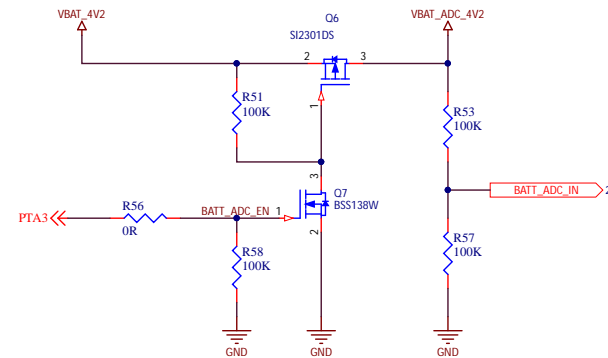
Low enable:  
 Default low to output power for A7 related power rails:  
 Set high to disable power, when A7 is not used.  
 Set high and then low to re-power, when A7 is reset.



### M4 Peripheral Power 3.3V



### Battery Measurement



### Li-on Battery Socket

