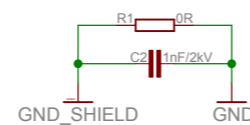
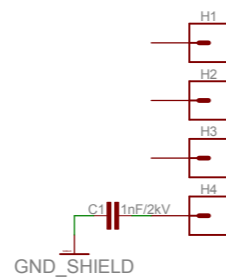


PCoreBB 1.20

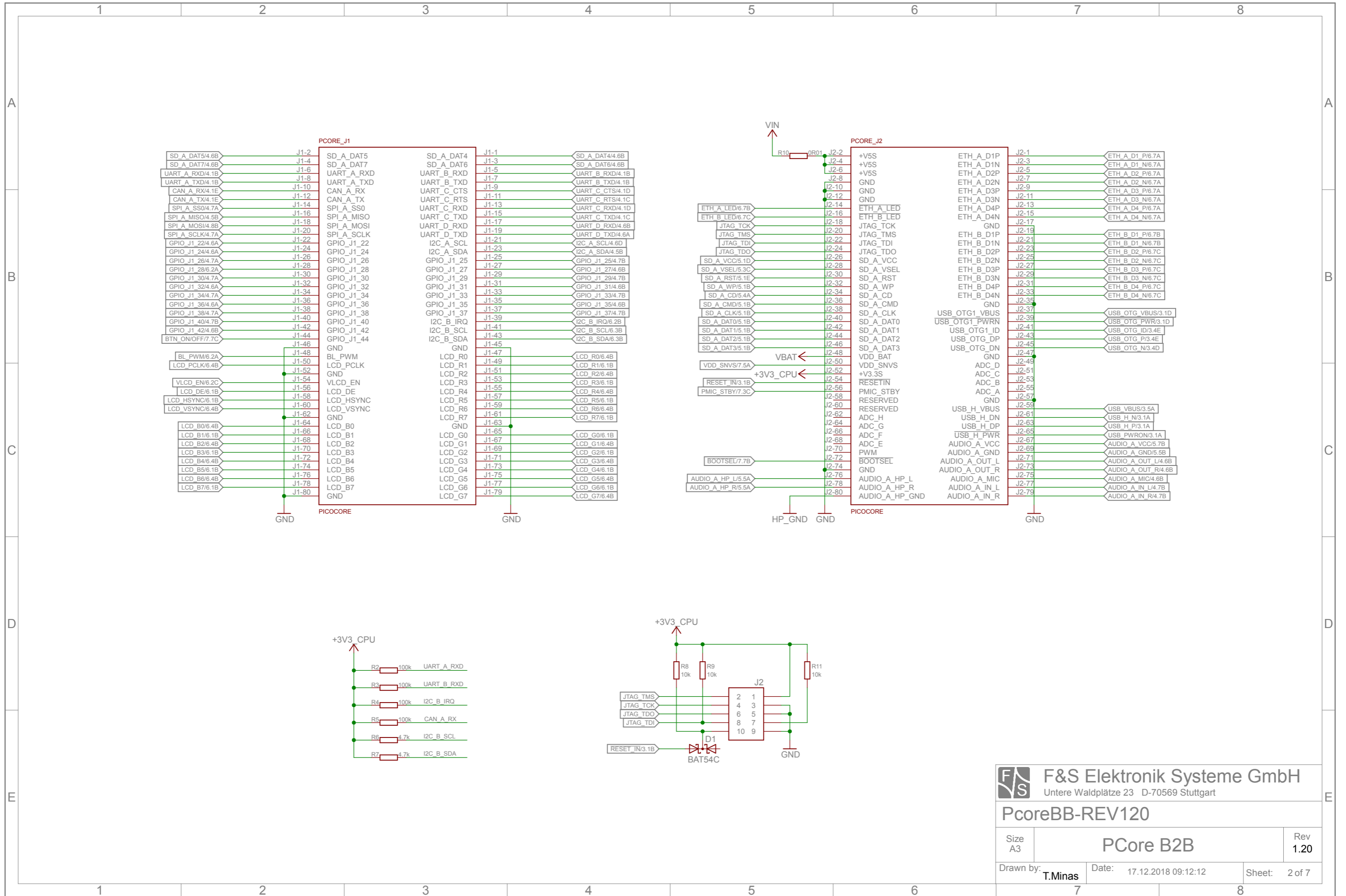
- 01 Title and Rev History
- 02 PCore B2B
- 03 USB
- 04 Serial / CAN / IO
- 05 SD Card / Audio
- 06 RGB / ETHERNET
- 07 DC/DC



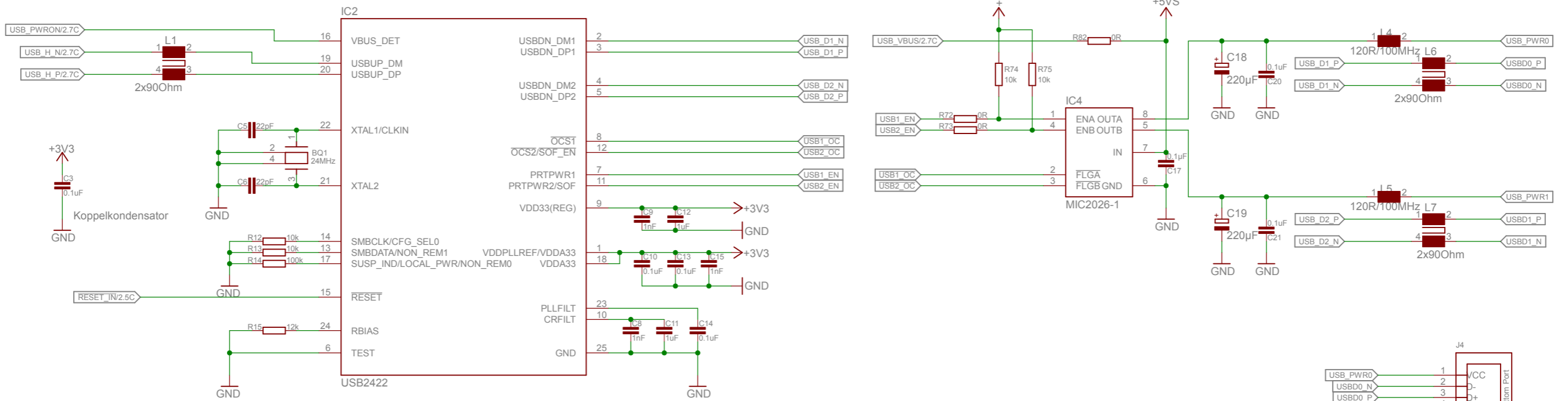
F&S F&S Elektronik Systeme GmbH
Untere Waldplätze 23 D-70569 Stuttgart

PcoreBB-REV120

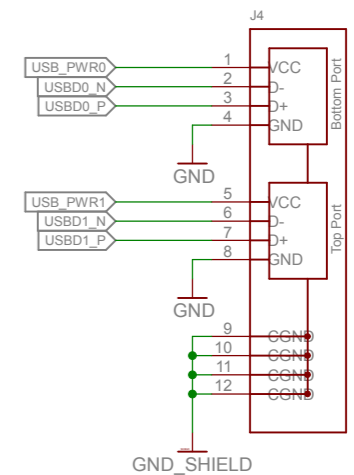
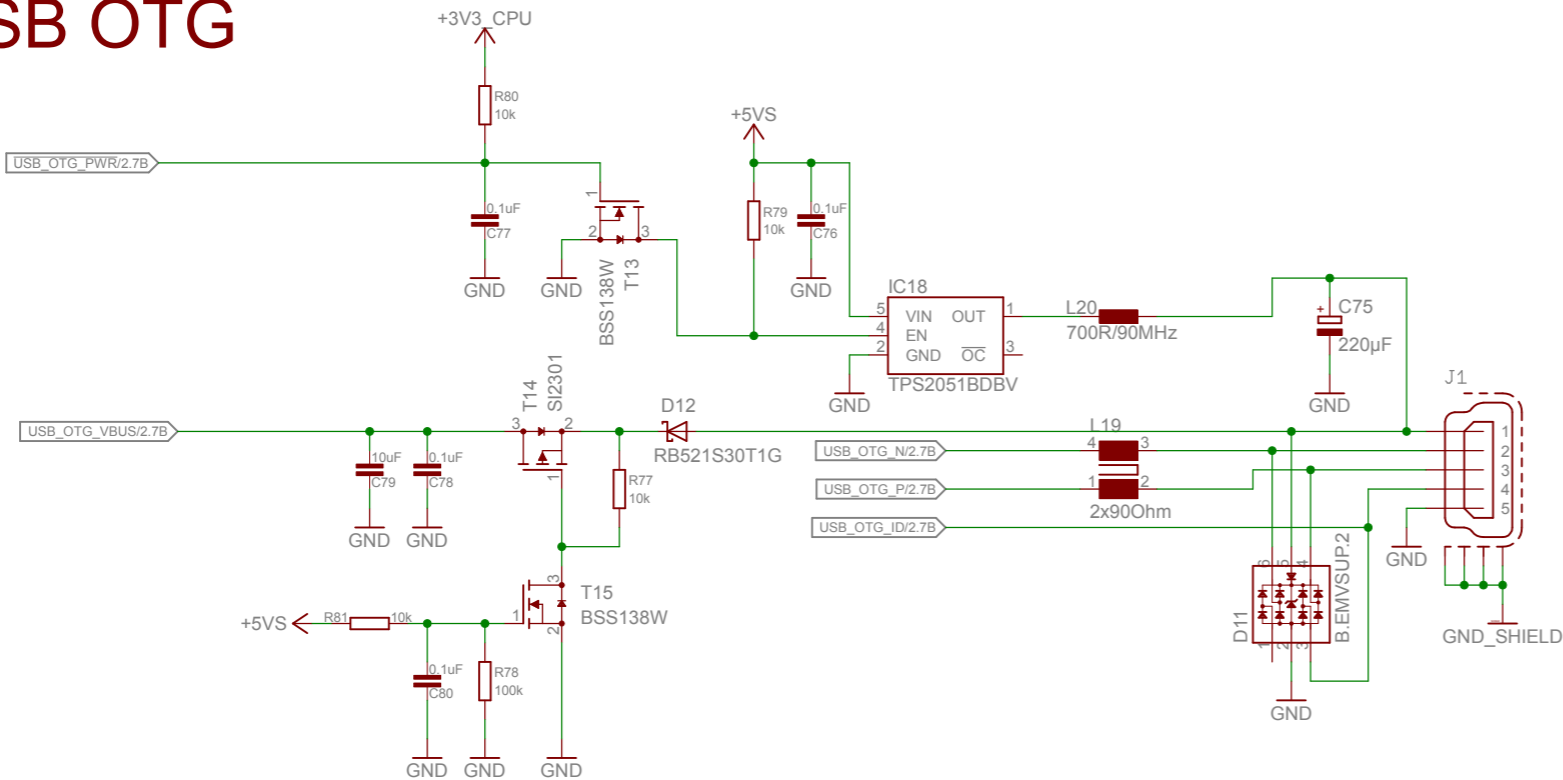
Size A3	Title Page	Rev 1.20
Drawn by: T.Minas	Date: 17.12.2018 09:12:12	Sheet: 1 of 7



USB HOST



USB OTG

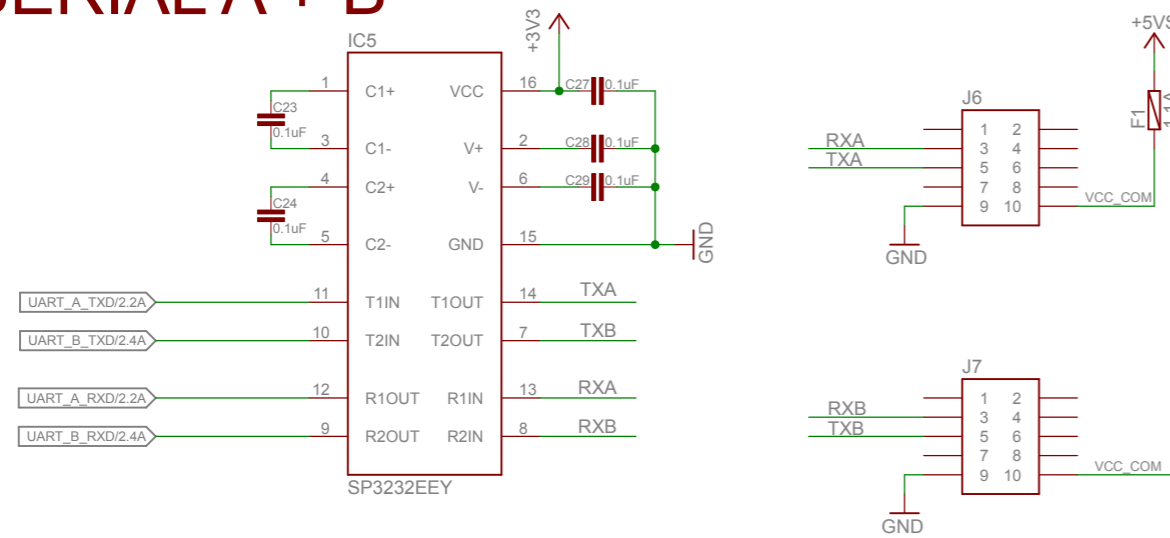


F&S Elektronik Systeme GmbH
Untere Waldplätze 23 D-70569 Stuttgart

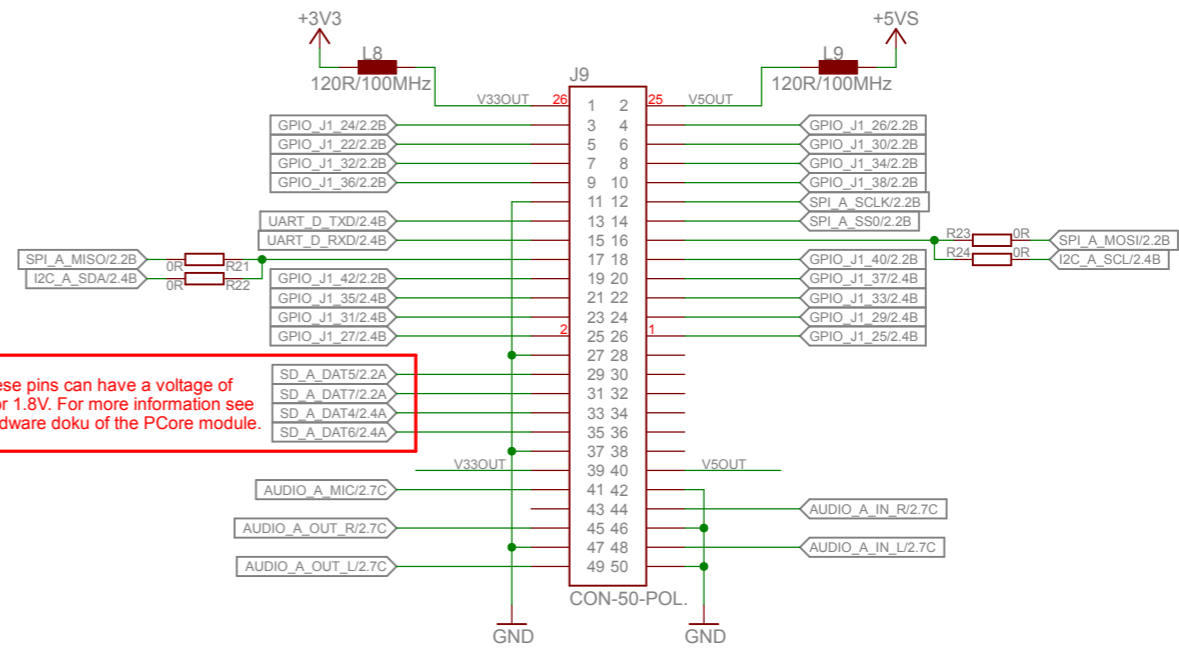
PcoreBB-REV120

Size A3	USB	Rev 1.20
Drawn by: T.Minas	Date: 17.12.2018 09:12:12	Sheet: 3 of 7

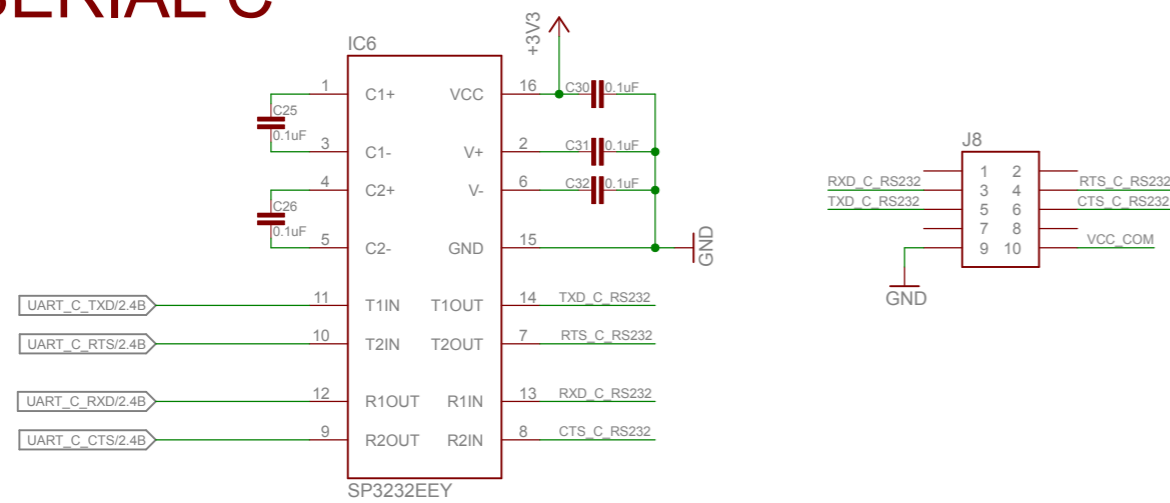
SERIAL A + B



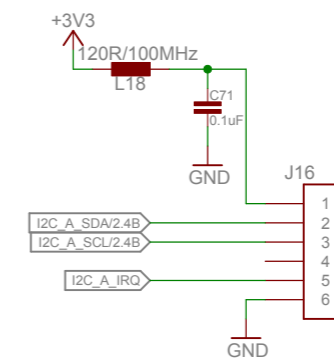
GPIO



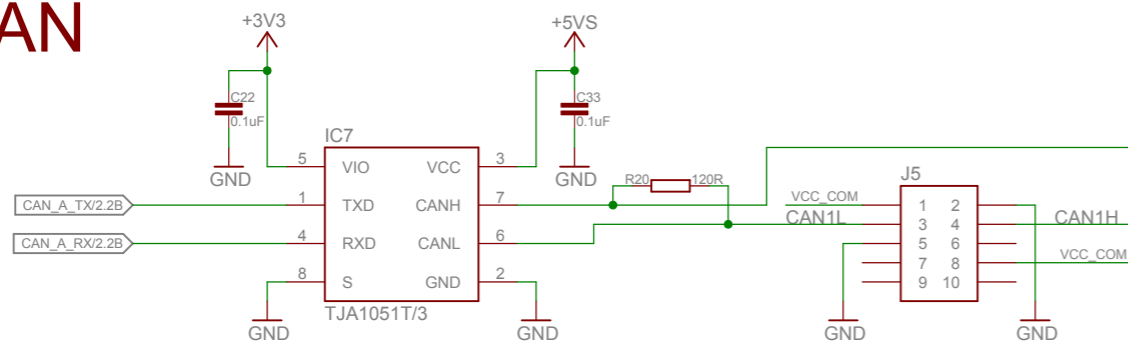
SERIAL C



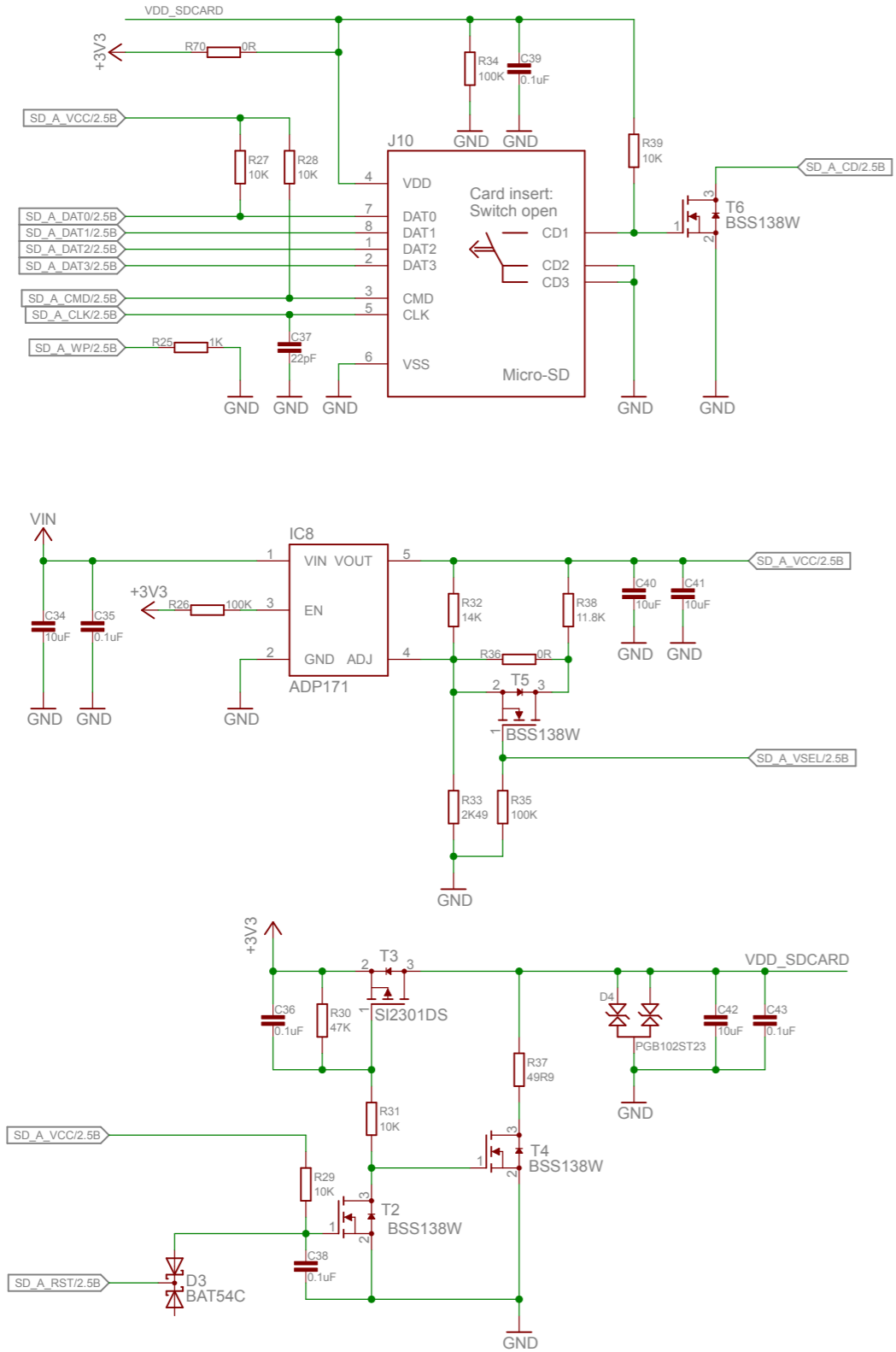
I2C



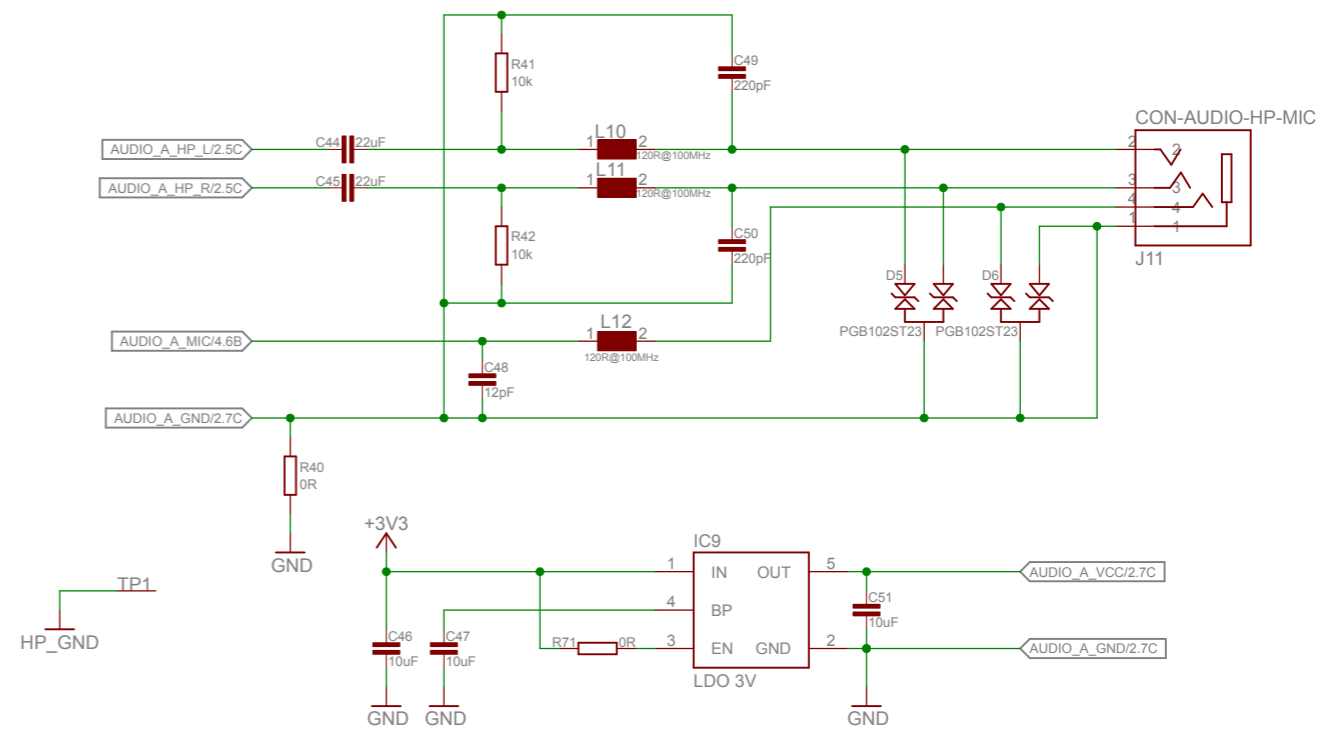
CAN



SD CARD



AUDIO



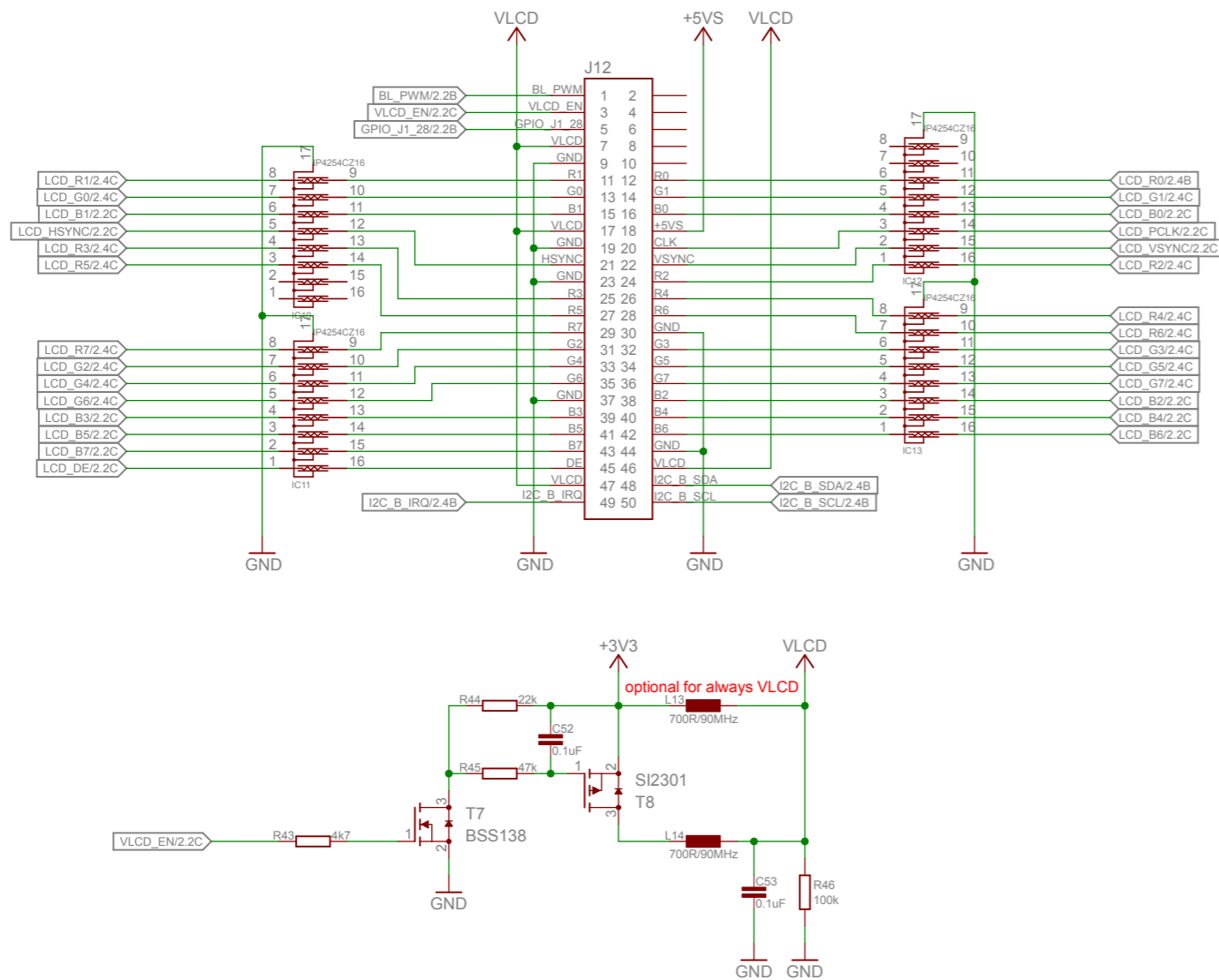
F&S Elektronik Systeme GmbH
Untere Waldplätze 23 D-70569 Stuttgart

PcoreBB-REV120

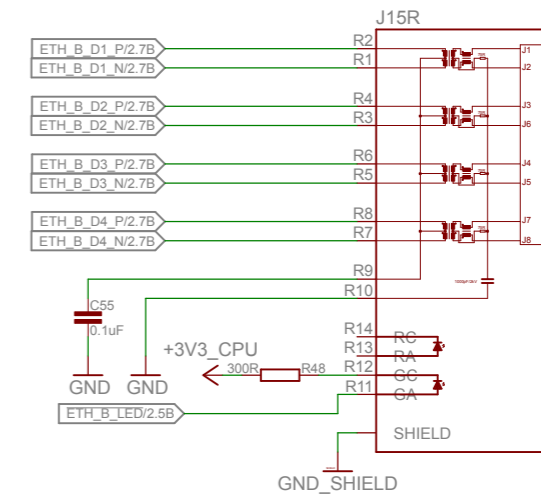
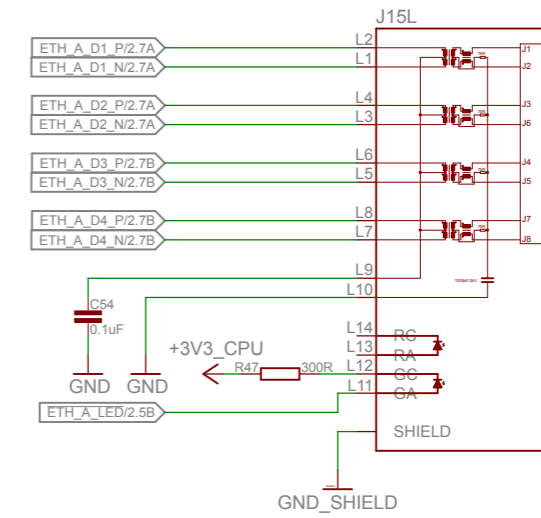
Size A3	SD Card / Audio	Rev 1.20
------------	-----------------	-------------

Drawn by: T.Minas Date: 17.12.2018 09:12:12 Sheet: 5 of 7

RGB



ETHERNET



F/S F&S Elektronik Systeme GmbH
Untere Waldplätze 23 D-70569 Stuttgart

PcoreBB-REV120

Size A3	RGB / Ethernet	Rev 1.20
Drawn by: T.Minas	Date: 17.12.2018 09:12:12	Sheet: 6 of 7

