

# SolderCoreBBHD 1.00

- 01) Title
- 02) Connectors (GPIO)
- 03) USB
- 04) MIPI
- 05) Serial
- 06) Power / CTRL / JTAG



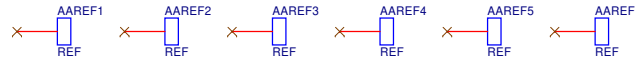
PCB1  
SOLDERCOREBBHD\_V1.00



LBL1  
MACLABEL 0x blue



H1 3.2MM H2 3.2MM H3 3.2MM H4 3.2MM



AAREF1 REF AAREF2 REF AAREF3 REF AAREF4 REF AAREF5 REF AAREF6 REF

Show AAREF<sub>x</sub> in paste masks!

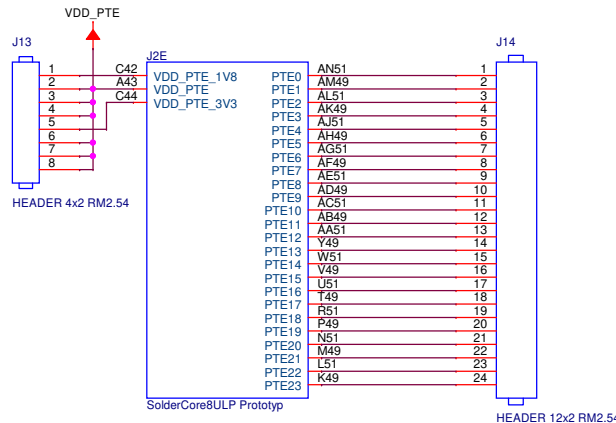
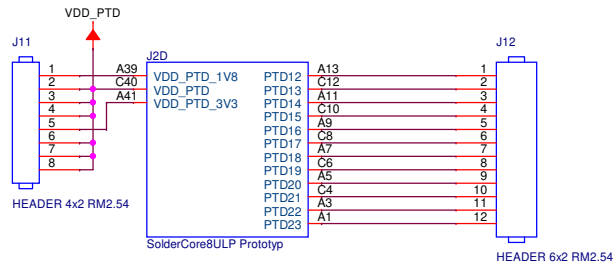
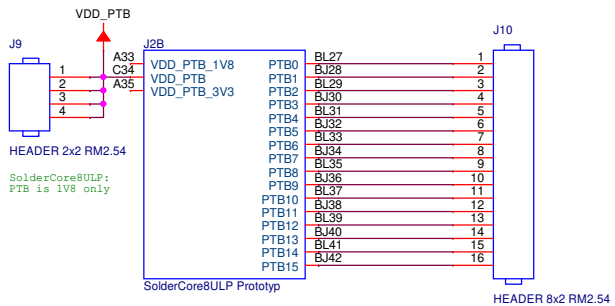
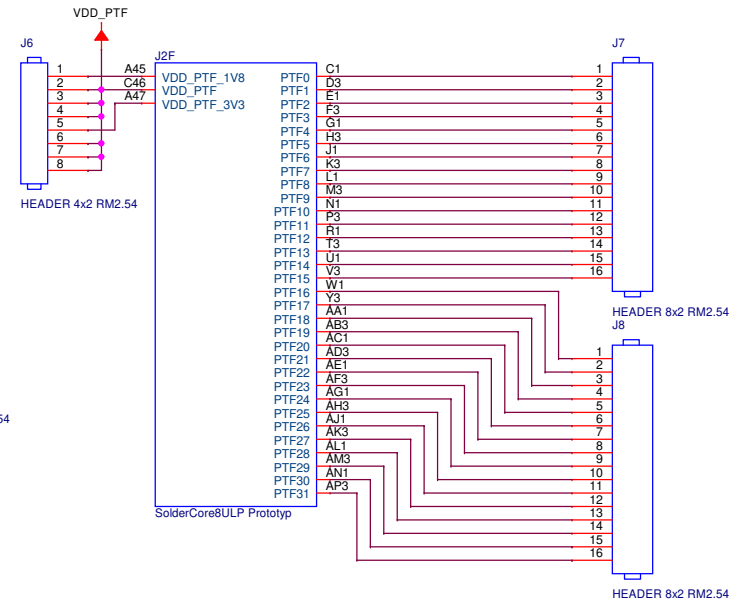
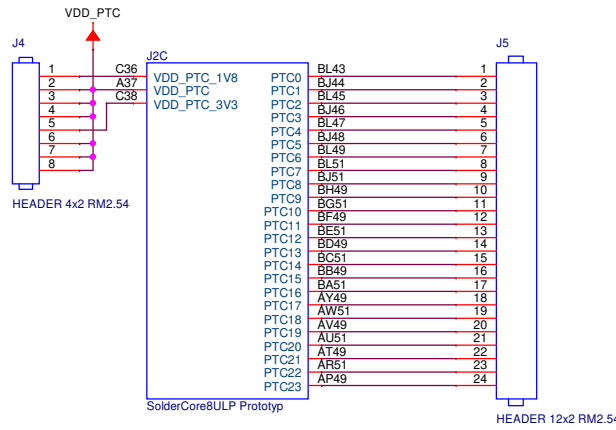
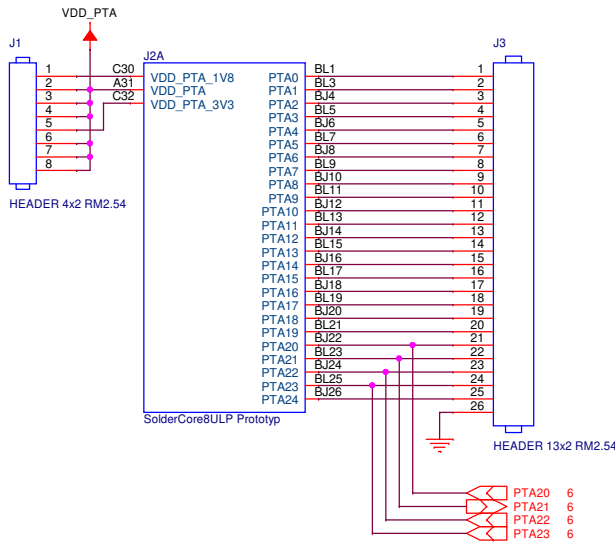
**Confidential**

**F&S** F&S Elektronik Systeme GmbH  
Untere Waldplätze 23 D-70569 Stuttgart

**SolderCoreBBHD**

|            |           |             |
|------------|-----------|-------------|
| Size<br>A3 | 01) Title | Rev<br>1.00 |
|------------|-----------|-------------|

|                       |                               |              |
|-----------------------|-------------------------------|--------------|
| Drawn by: K. Ulbricht | Date: Tuesday, April 26, 2022 | Sheet 1 of 6 |
|-----------------------|-------------------------------|--------------|



**Confidential**

**F&S** F&S Elektronik Systeme GmbH  
Untere Waldplätze 23 D-70569 Stuttgart

**SolderCoreBBHD**

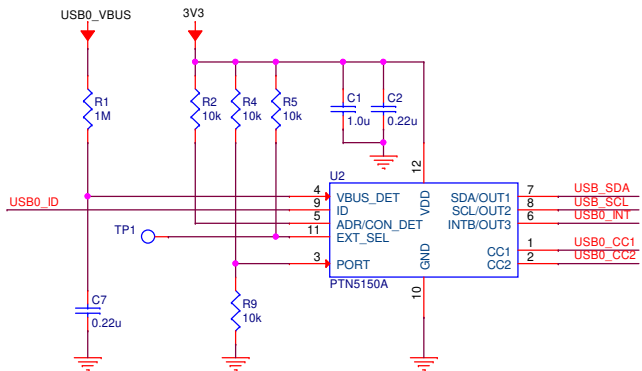
Size A3 02) Connectors (GPIO)

Rev 1.00

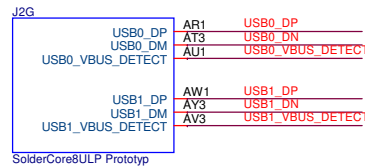
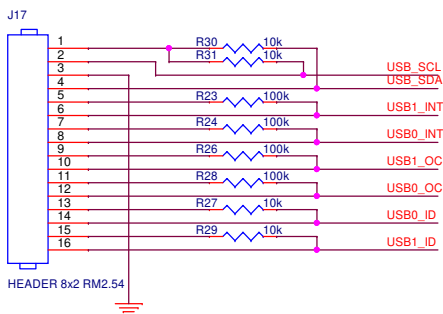
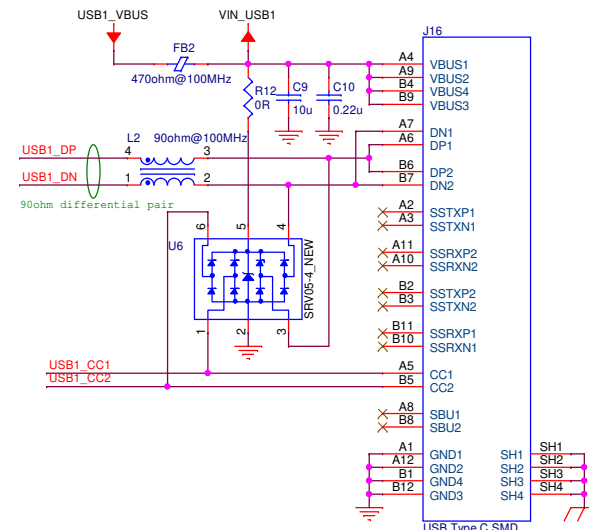
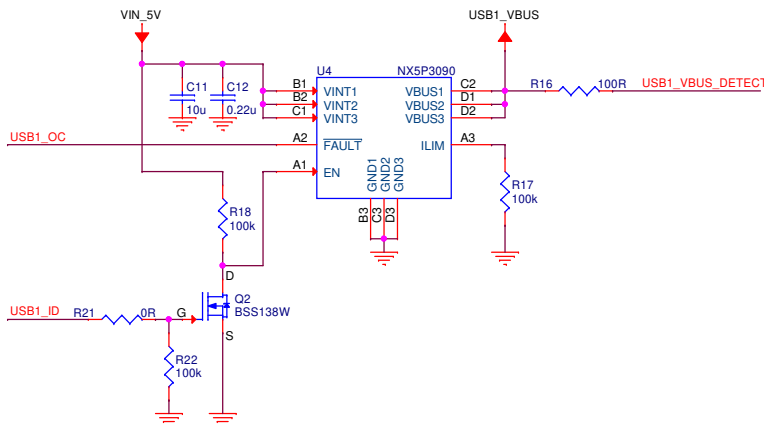
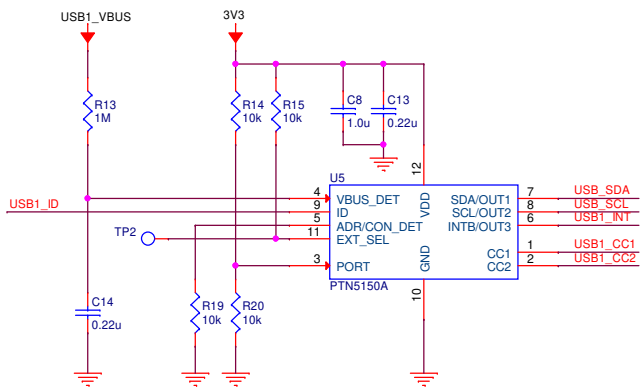
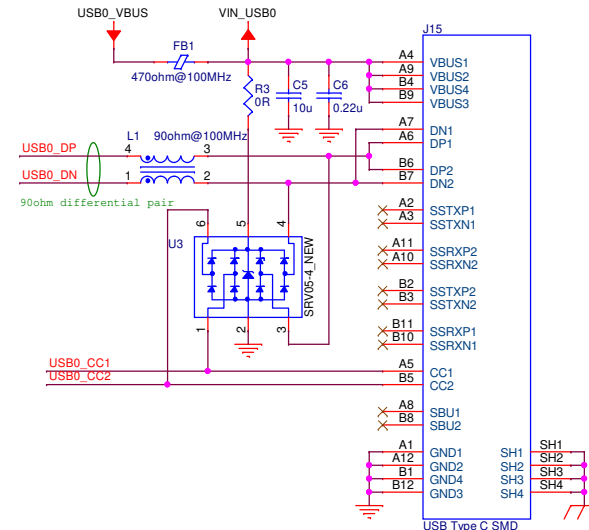
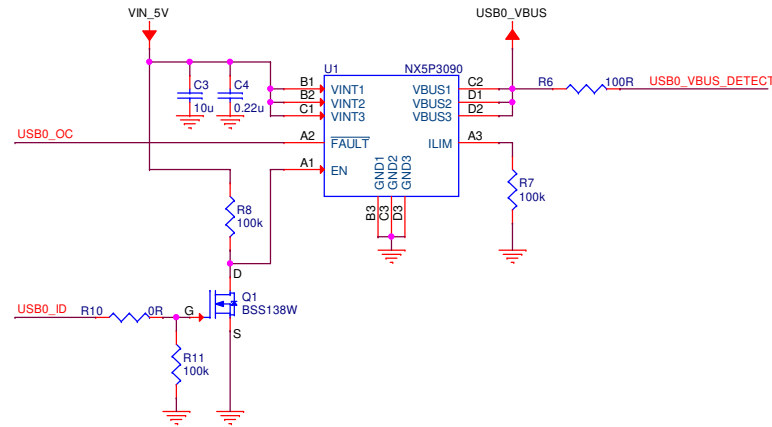
Drawn by: K. Ulbricht

Date: Monday, May 02, 2022

Sheet 2 of 6



ADR/CON\_DET=1: Connection detected, I2C Address: 0x7A  
 ADR/CON\_DET=0: No Connection, I2C Address: 0x3A  
 EXT\_SEL=0: CC2  
 EXT\_SEL=1: CC1  
 PORT=1: DFP mode  
 PORT=0: UFP mode  
 PORT=Float: DRP mode



**Confidential**

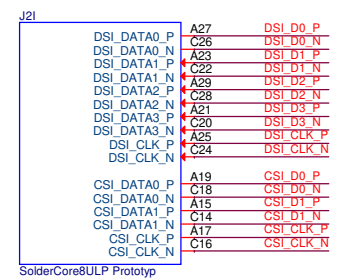
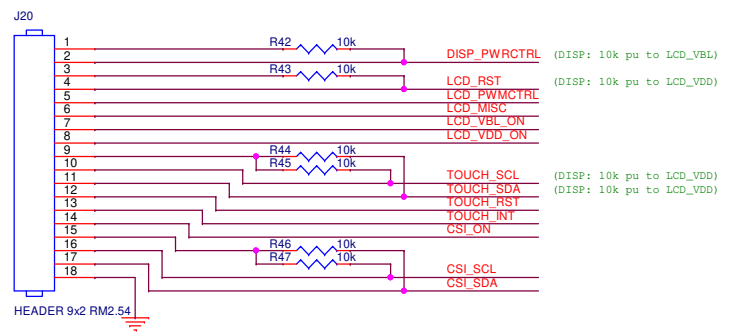
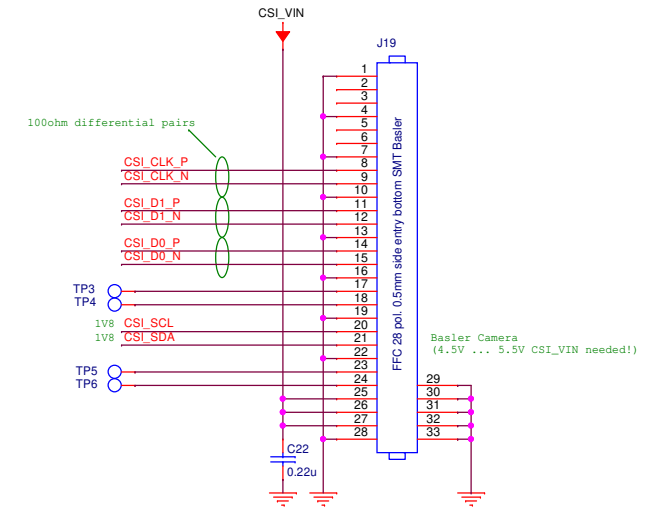
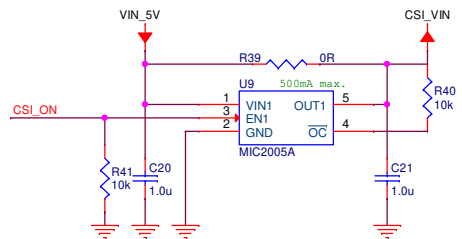
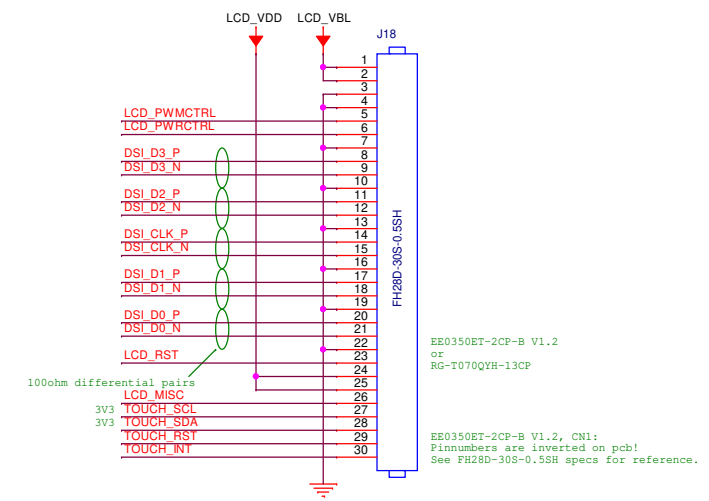
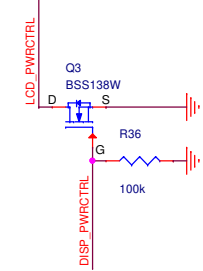
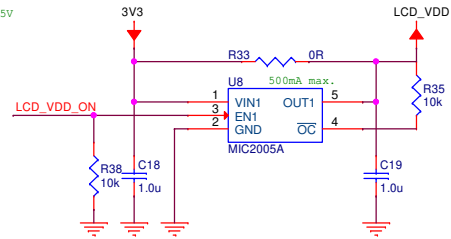
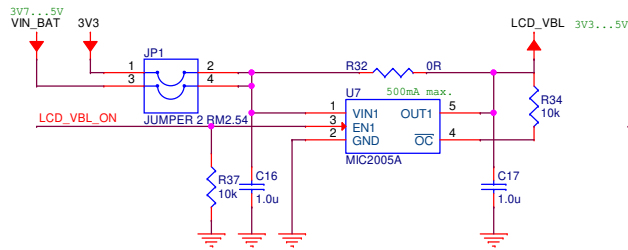
**F&S Elektronische Systeme GmbH**  
 Untere Waldplätze 23 D-70569 Stuttgart

**SolderCoreBBHD**

|                       |         |                               |
|-----------------------|---------|-------------------------------|
| Size<br>A3            | 03) USB | Rev<br>1.00                   |
| Drawn by: K. Ulbricht |         | Date: Tuesday, April 26, 2022 |
|                       |         | Sheet 3 of 6                  |

worst case:

- > 3,5": LCD\_IBL = 19.2V/3.3V\*20mA = 117mA (137mA) possible
- > 7": LCD\_IBL = 26.4V/3.7V\*100mA = 714mA possible
- > check if power switch with higher current rating is needed
- > use MIC2004-1.2YM5 in this case



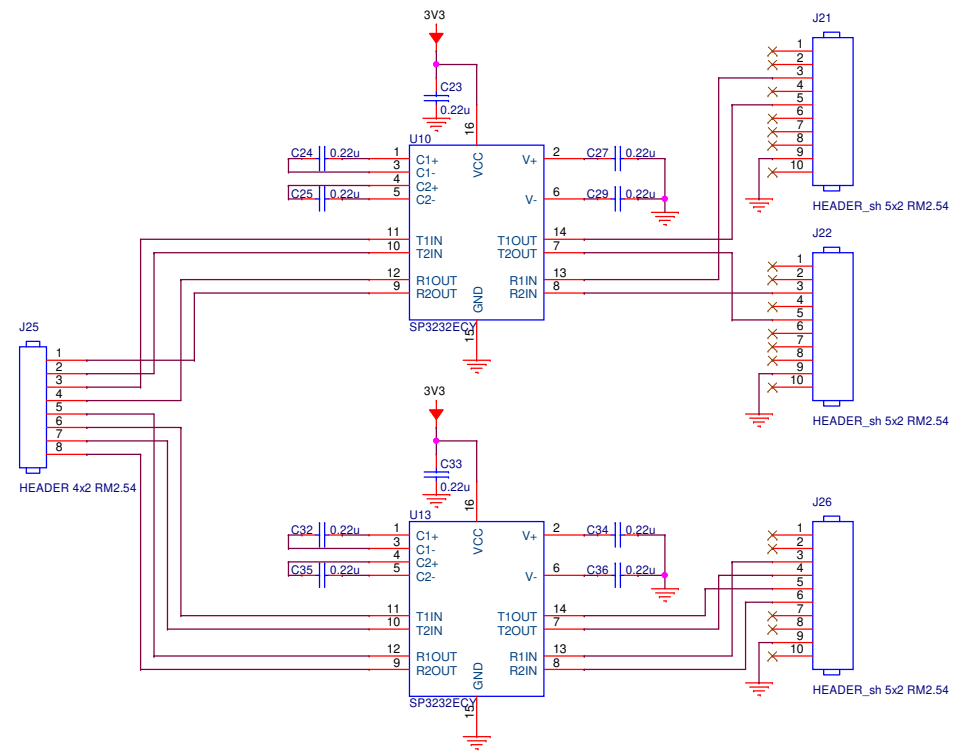
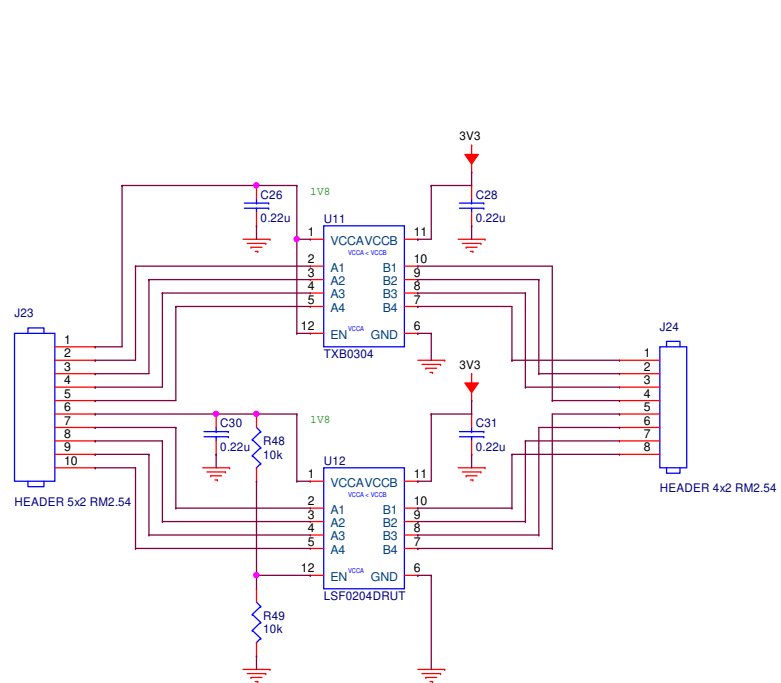
**Confidential**

**F&S Elektronik Systeme GmbH**  
Untere Waldplätze 23 D-70569 Stuttgart

**SolderCoreBBHD**

Size A3 04) MIPI Rev 1.00

Drawn by: K. Ulbricht Date: Tuesday, April 26, 2022 Sheet 4 of 6



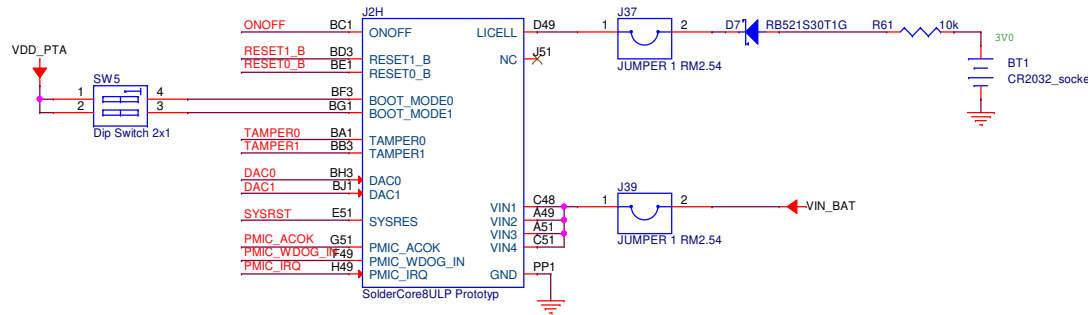
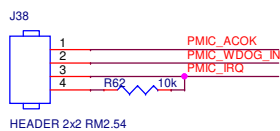
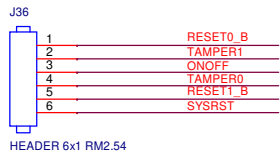
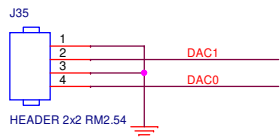
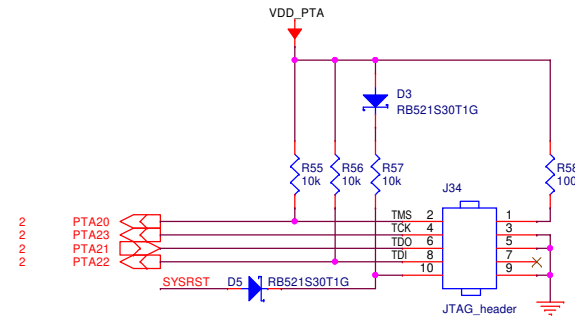
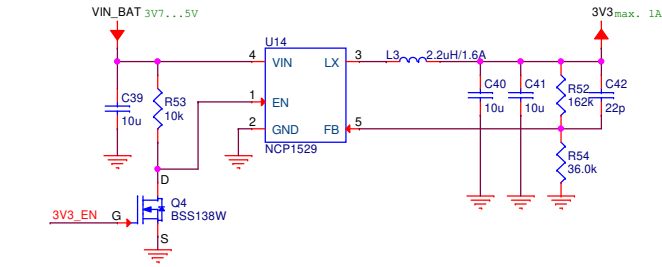
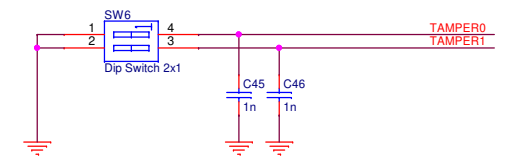
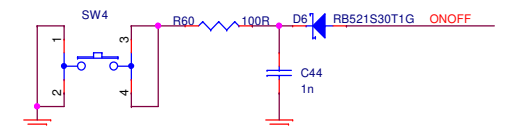
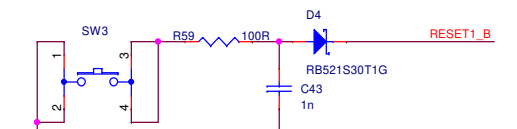
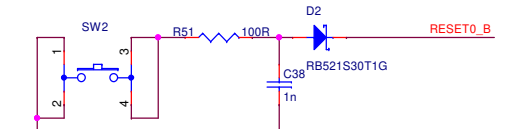
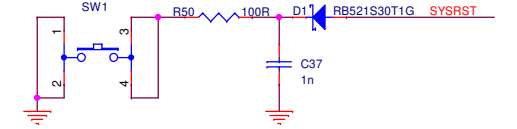
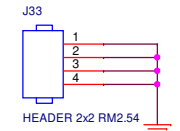
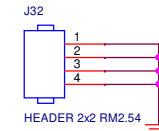
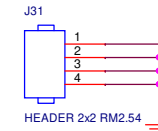
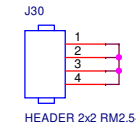
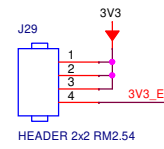
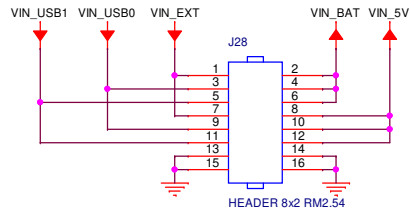
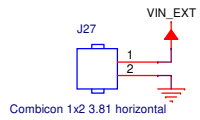
**Confidential**

**F&S** F&S Elektronik Systeme GmbH  
 Untere Waldplätze 23 D-70569 Stuttgart

**SolderCoreBBHD**

|            |            |             |
|------------|------------|-------------|
| Size<br>A3 | 05) Serial | Rev<br>1.00 |
|------------|------------|-------------|

Drawn by: K. Ulbricht Date: Tuesday, April 26, 2022 Sheet 5 of 6



**Confidential**

|   |                                      |                            |
|---|--------------------------------------|----------------------------|
| <b>F&amp;S Elektronische Systeme GmbH</b><br>Untere Waldplätze 23 D-70569 Stuttgart |                                      |                            |
| <b>SolderCoreBBHD</b>   |                                      |                            |
| Size<br><b>A3</b>   | <b>06) Power / CTRL / JTAG</b>       | Rev<br><b>1.00</b>         |
| Drawn by: <b>K. Ulbricht</b>  | Date: <b>Tuesday, April 26, 2022</b> | Sheet <b>6</b> of <b>6</b> |