

PicoCoreBBDSI 1.40

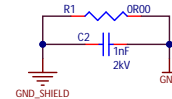
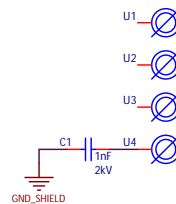
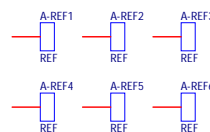
- 01 Title and Rev History
- 02 PicoCore B2B
- 03 USB-Hub
- 04 Audio / SD-Card
- 05 Serial / GPIO / SPI
- 06 LCD / CAM
- 07 ETHERNET / CAN
- 08 mPCIe
- 09 DC/DC

Revision History

Rev.	Date	By	Description
1.00	21.03.2019	T.Minas	- Initial version
1.10	11.05.2019	M.Döner	- Connect GPIO to J2 pin 28 for mipi display reset signal - 24Mhz oscillator added to J24 for camera - CON_AUDIO_HP_MIC GROUND and MIC should are switched to fulfill the more common CTAL standard
1.20	22.06.2020	T.Minas	- Voltage supply for JTAG changed to 1.8V - Level shifter added for 3.3V reset signal - ESD protection added to LCD and SD signals - SP3232 changed to SP330E to also provide RS485 - Dip switch added to control SP330E - GPIO_J1_52 is now used as TOUCH_RESET# signal on J14 - SD_B port is connected to J8 - PWM (J2_63) is connected to J8 - UART_A_RTS / UART_A_CTS now connected to J8 - Option added to exchange UART_B_RTS and UART_B_CTS - Adapt UART namings to the PicoCore
1.30	12.10.2020	T.Minas	- U5: Connecti RXD to pin 9 and CTS to pin 8 - Add support for PicoCoreMX8M+ - Add support for USB 3.0 TYPE-C - Add second camera interface based on Basler DART pinout - Change Connector J12 to Hirose FH28D-28S-0.5SH(05) - Connect VIN directly to the PicoCore module - Remove LDO for VDD_SNV5 - Remove MCP2515 and connect CAN_A to U18 - Exchange GPIO_J1_2 and GPIO_J1_52 (TOUCH_RESET) - Add connector for SPI_A
1.40	11.08.2021	T.Minas	- Use another GPIO for USB_TYPEC_ALERT in case J3 is not mounted - Correct ouput signal namings on U11 - Change Type-C connector to Winconn UC-3019-2GNB-RR

Differential impedances:

- LVDS 100 ohm
- USB 90 ohm
- DSI 100 ohm
- ETH 100 ohm
- mPCIe 100 ohm

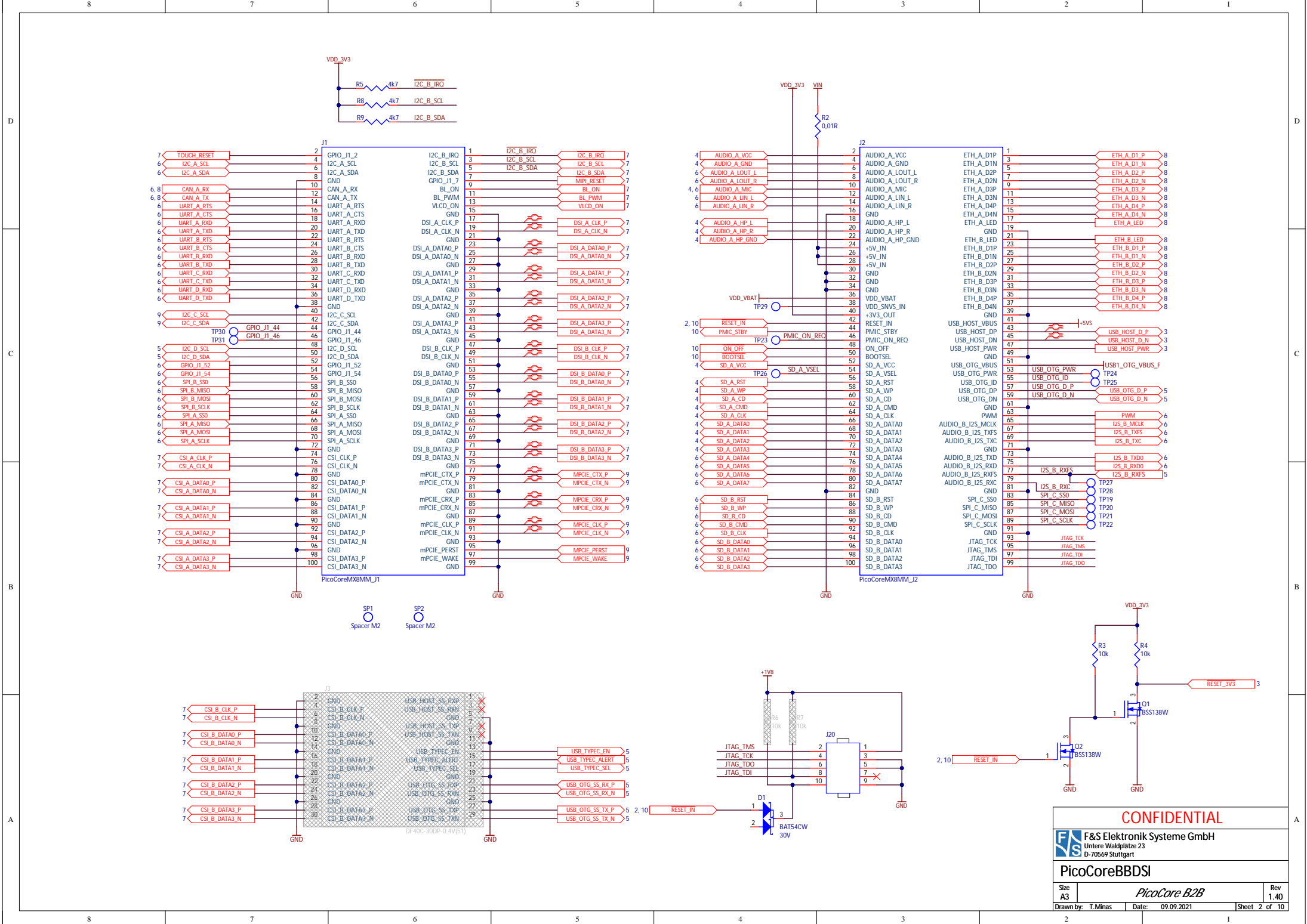


CONFIDENTIAL

F&S F&S Elektronik Systeme GmbH
Untere Waldplätze 23
D-70569 Stuttgart

PicoCoreBBDSI

Size A3	<i>Title Page</i>	Rev 1.40
Drawn by: T.Minas	Date: 09.09.2021	Sheet 1 of 10

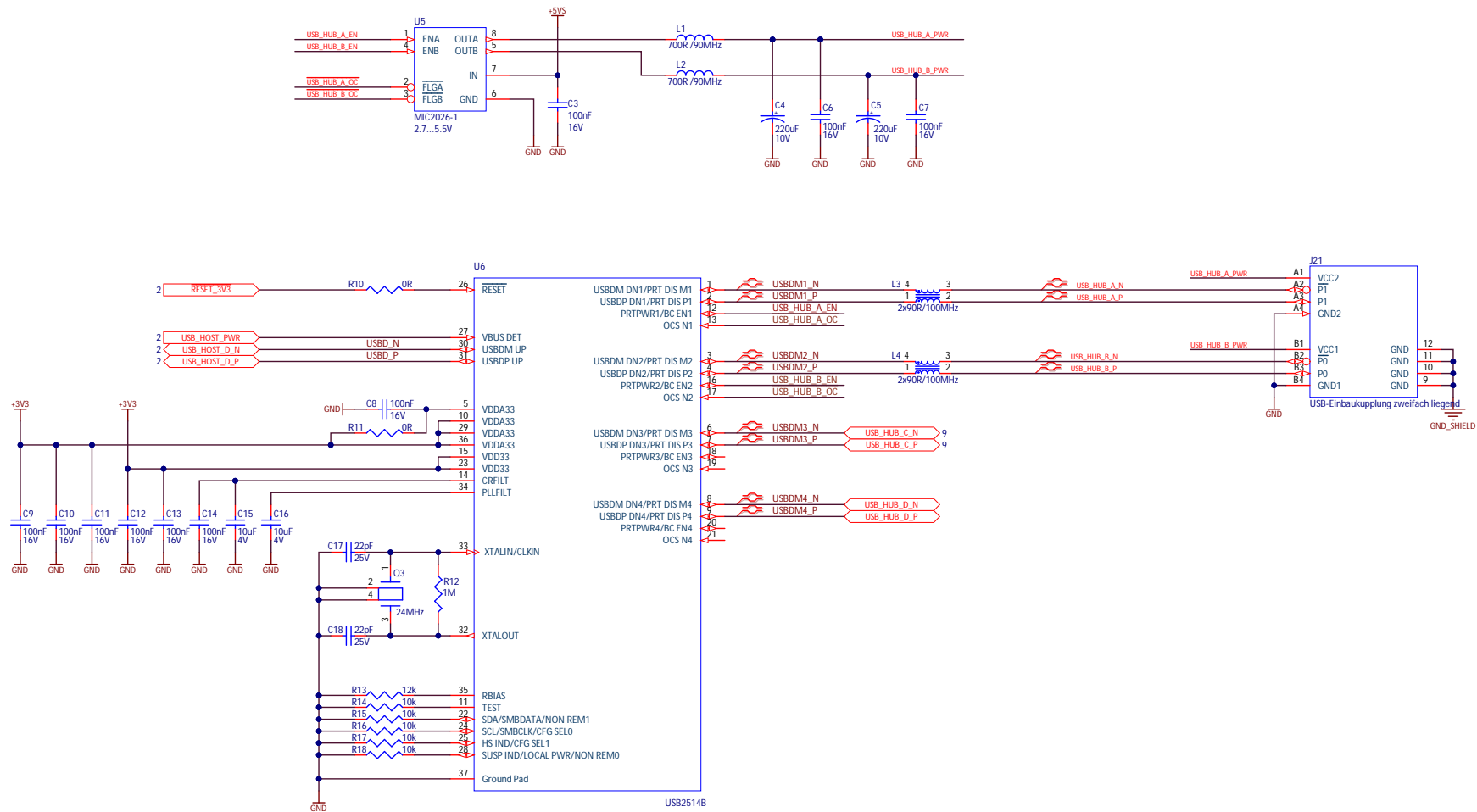


CONFIDENTIAL


F&S Elektronik Systeme GmbH
 Untere Waldplätze 23
 D-70569 Stuttgart

PicoCoreBBDSI

Size A3	<i>PicoCore B2B</i>	Rev 1.40
Drawn by: T.Minas	Date: 09.09.2021	Sheet 2 of 10



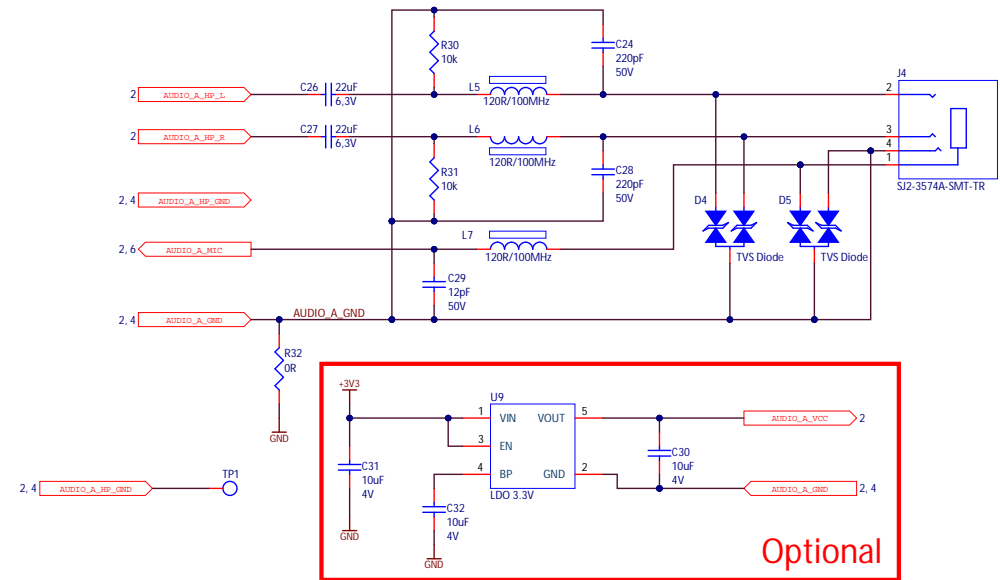
CONFIDENTIAL


F&S Elektronik Systeme GmbH
 Untere Waldplätze 23
 D-70569 Stuttgart

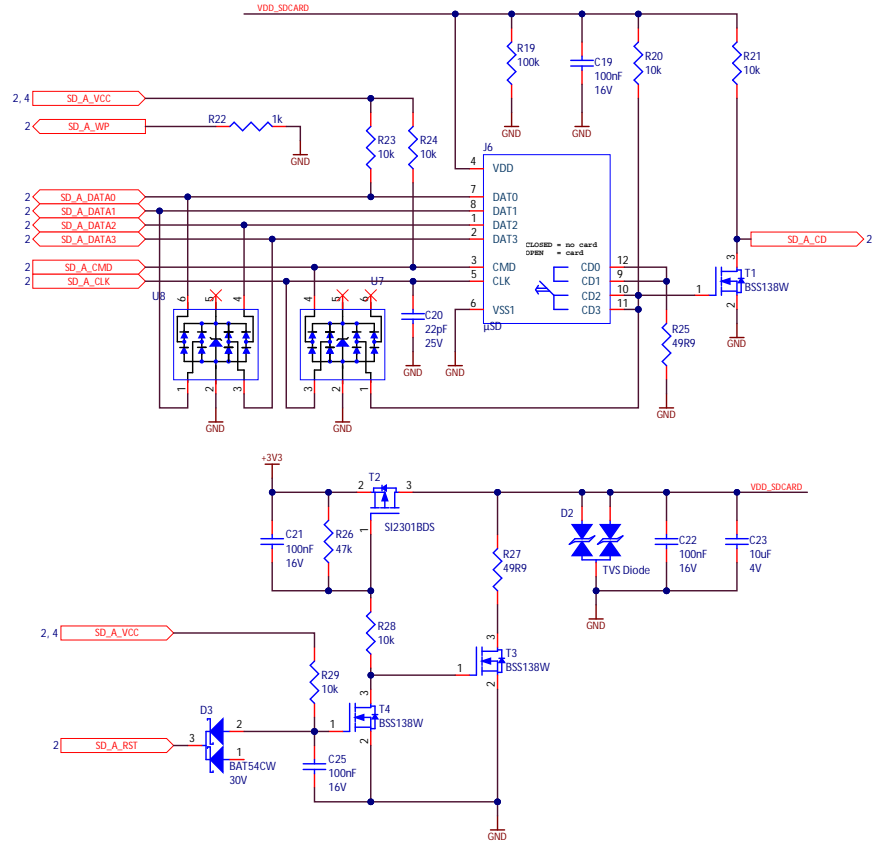
PicoCoreBBDSI

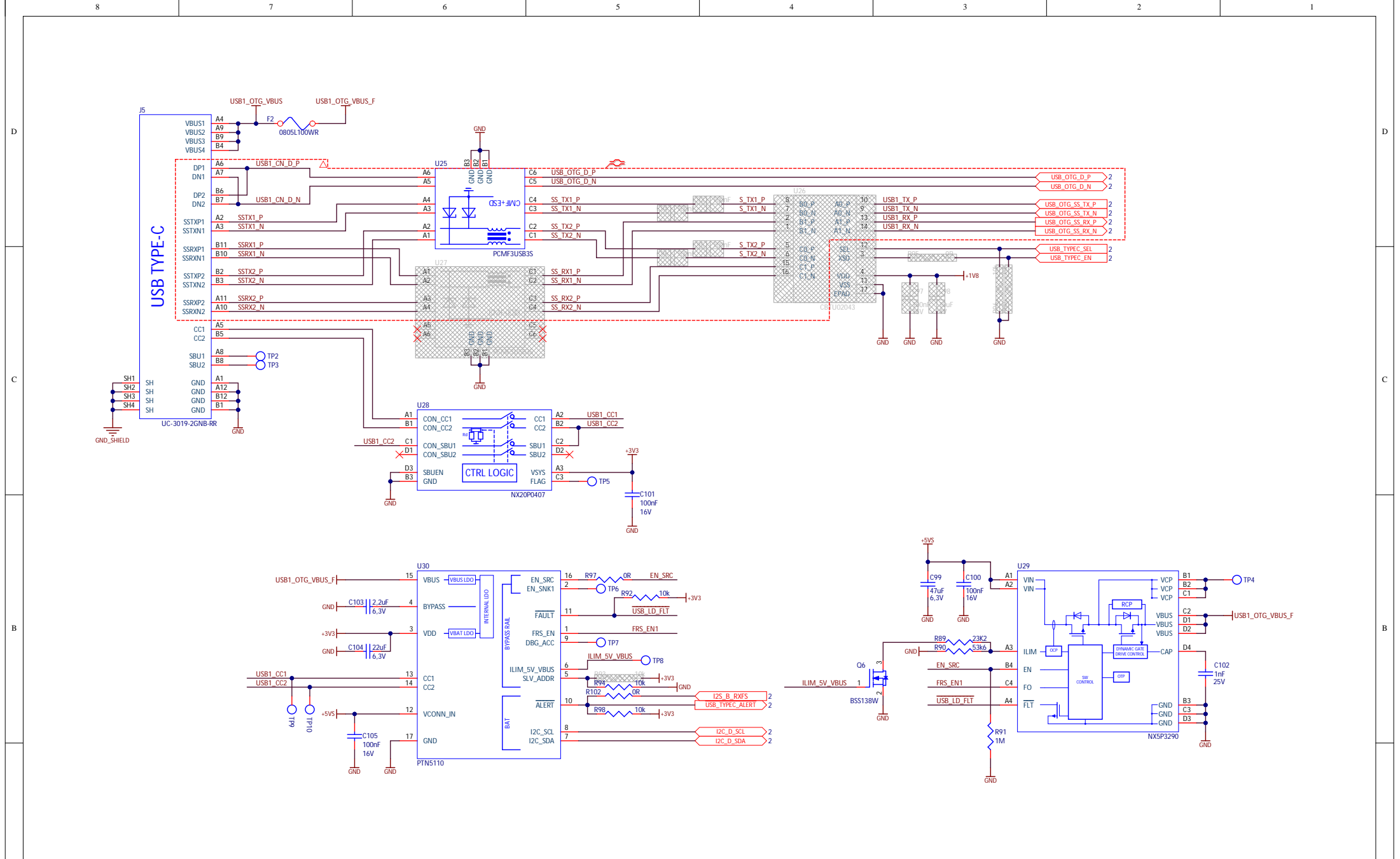
Size A3	USB-Hub	Rev 1.40
Drawn by: T.Minas	Date: 09.09.2021	Sheet 3 of 10

AUDIO

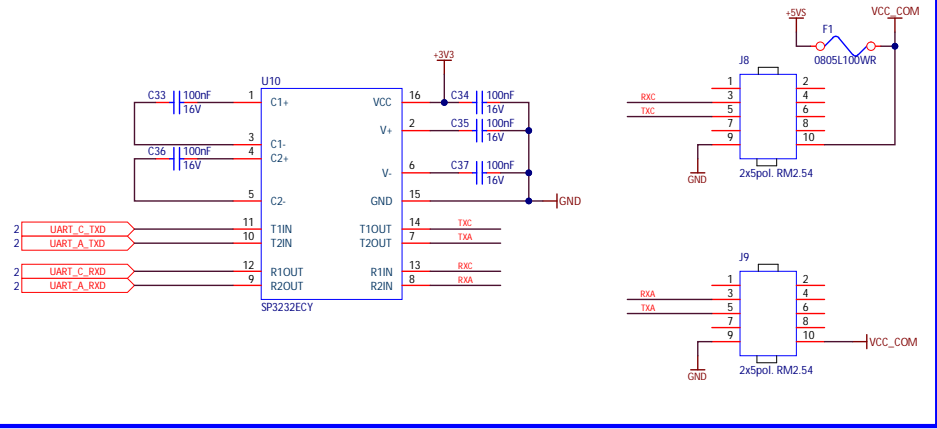


SD CARD

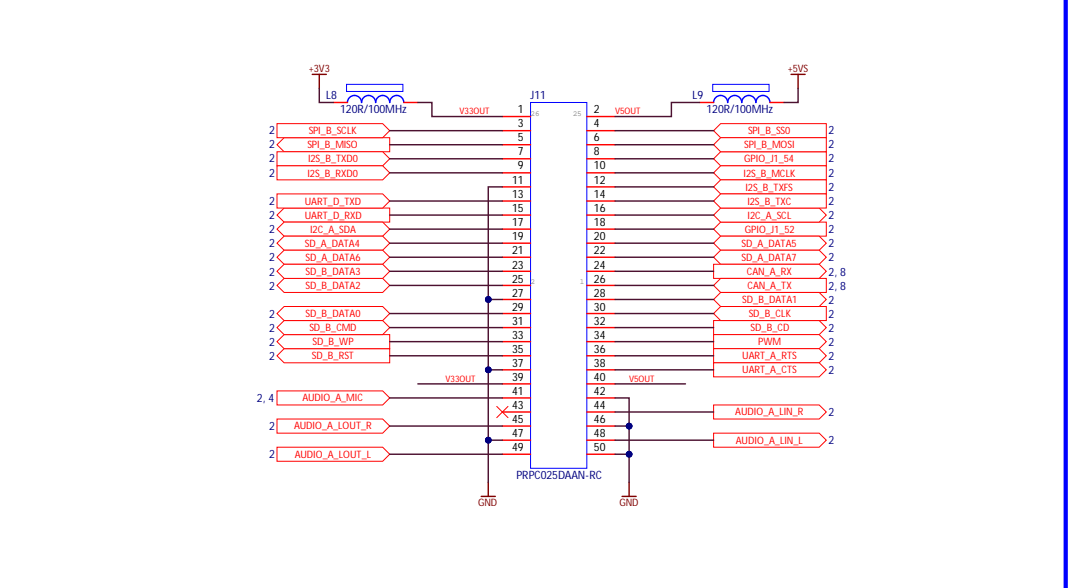




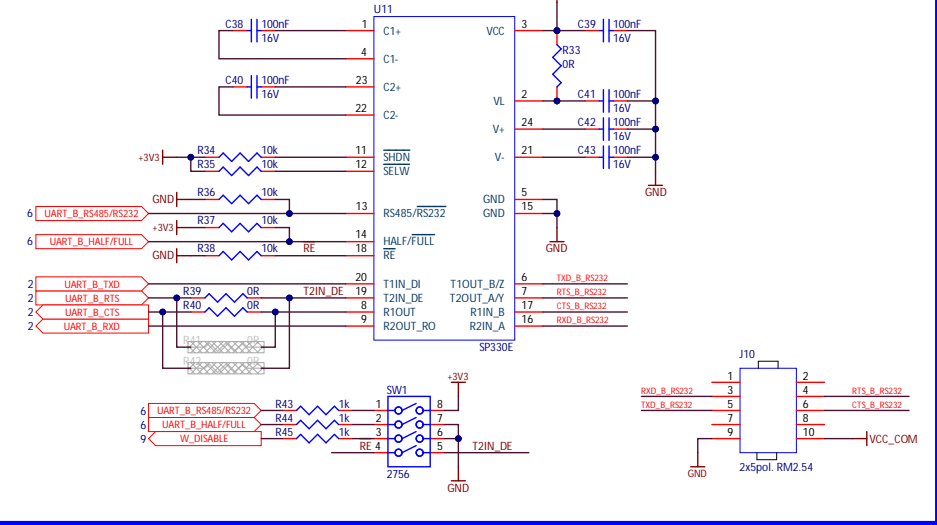
SERIAL A + B



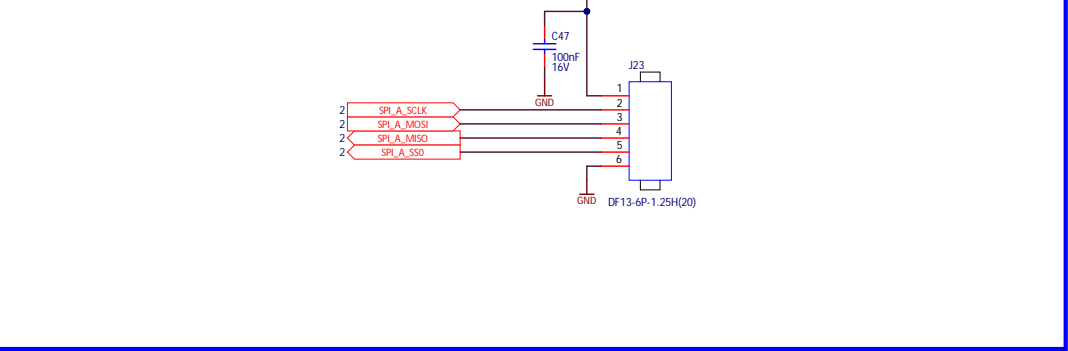
GPIO



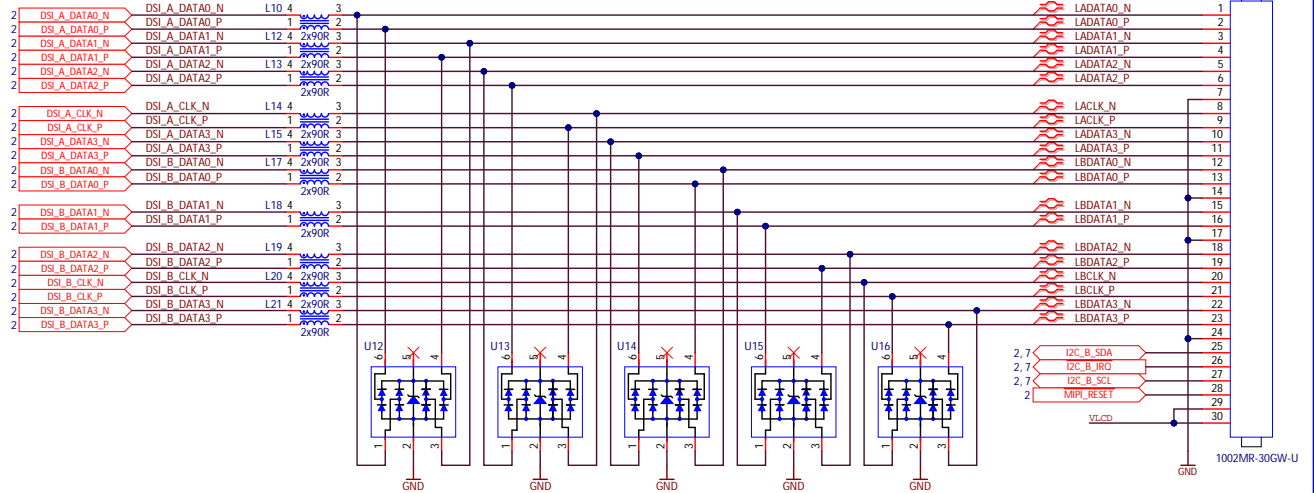
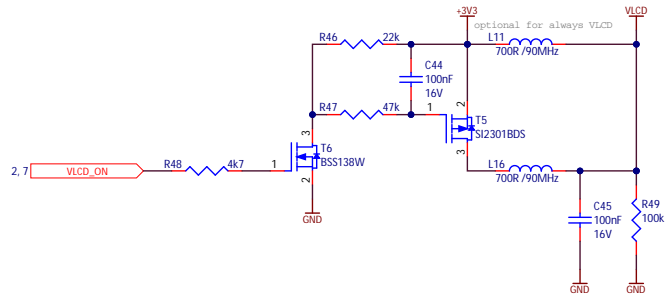
SERIAL B



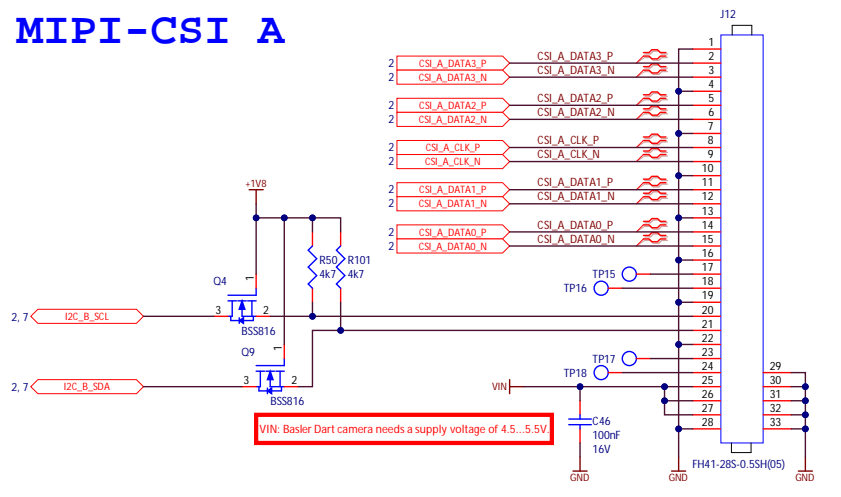
SPI A



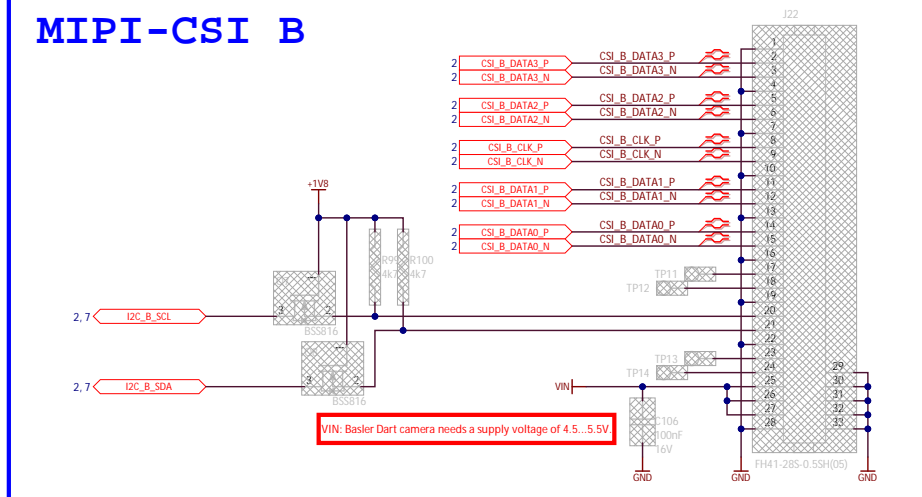
MIPI-DSI / LVDS



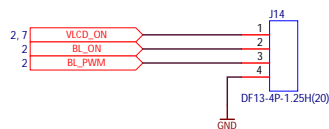
MIPI-CSI A



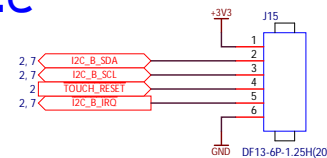
MIPI-CSI B



Backlight Connector



TOUCH-I2C



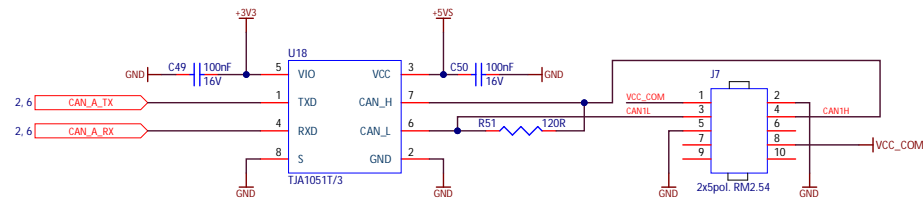
CONFIDENTIAL

F&S Elektronik Systeme GmbH
Untere Waldplätze 23
D-70569 Stuttgart

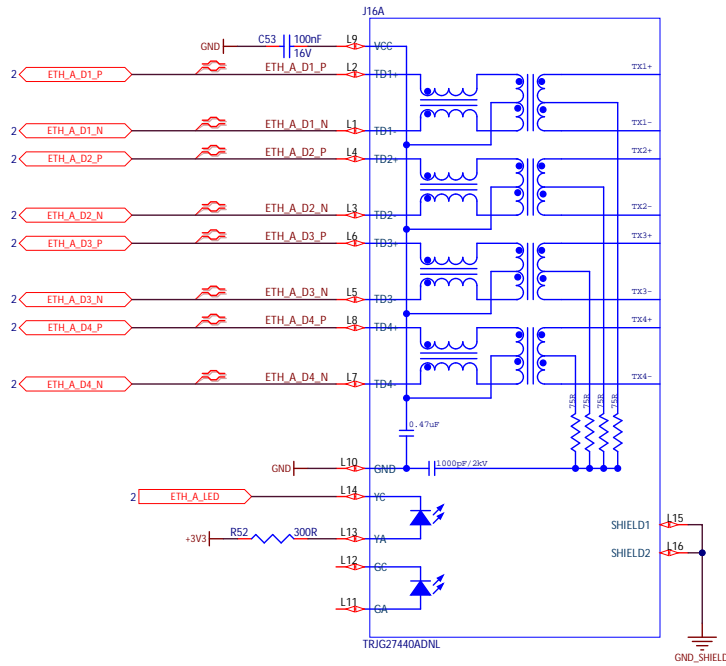
PicoCoreBBDSI

Size A3 LCD / CAM Rev 1.40
Drawn by: T.Minas Date: 09.09.2021 Sheet 7 of 10

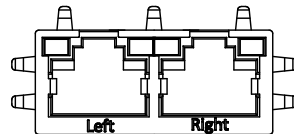
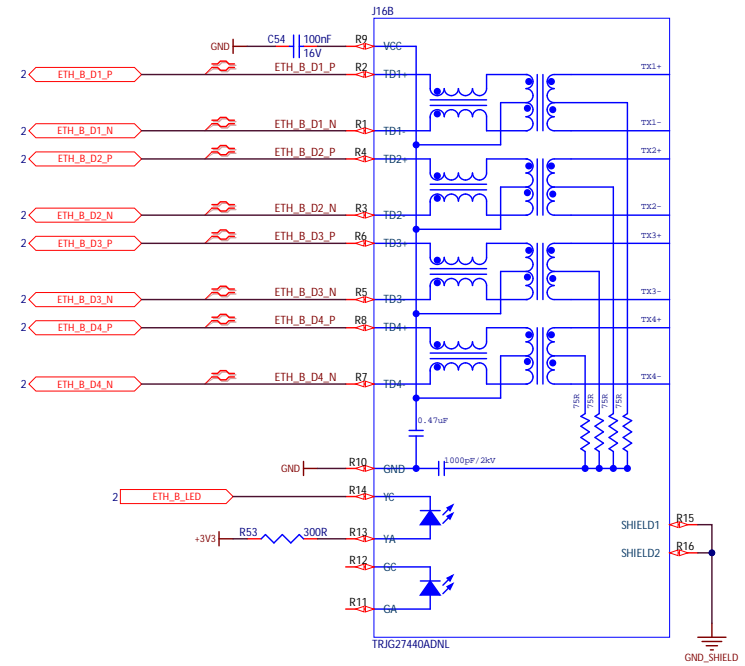
CAN



ETHERNET A (Left)



ETHERNET B (Right)



CONFIDENTIAL

F&S Elektronik Systeme GmbH
Untere Waldplätze 23
D-70569 Stuttgart

PicoCoreBBD5I

Size A3	Ethernet / CAN	Rev 1.40
Drawn by: T.Minas	Date: 09.09.2021	Sheet 8 of 10

