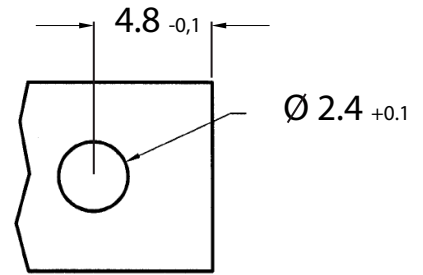
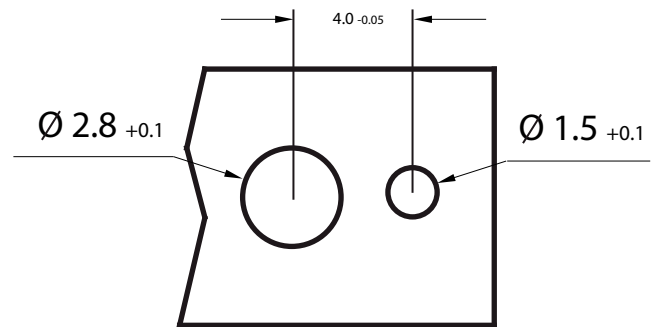
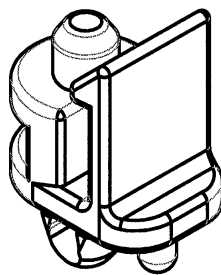
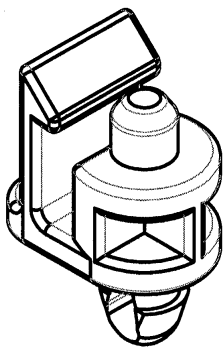
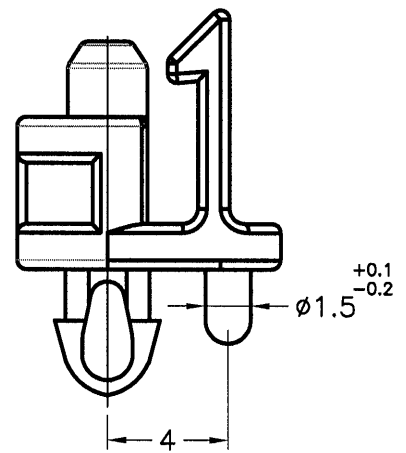
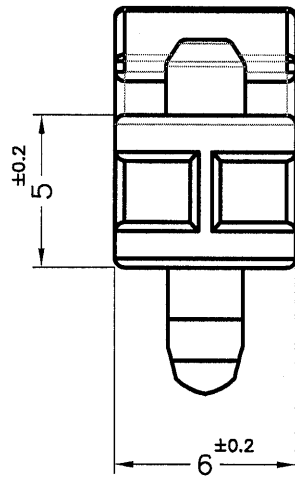


REV 02 23.11.2017 Modification Hole top PCB 2.8 to 2.4
 Modification Thickness top PCB 1.1 to 1.3
 Modification Thickness bottom 1.6 to 1.7



Hole in P.C.B
 Thickness 1.3mm +0.1



Mounting Hole
 Thickness 1.7mm +0.1



Zeichnung / Drawing		PART NUMBER 11365AR01	TITLE Abstandshalter / Spacer
		MATERIAL Nylon UL94V0 black	MATERIAL
www.fastpoint.de		FARBE / COLOR	Drw.No.
SIZE A 4	SCALE NTS	UNIT mm	TOLERANCE DIN ISO 2768-1 TOLERANCE UNLESS NOT SPECIFIED
		DATE	