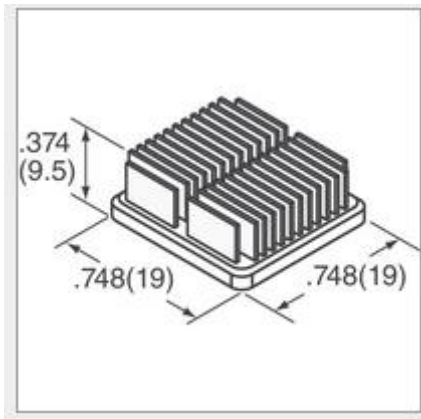


Heat Sink

B.MKUE.3



Fixing Method	Thermal strip, adhesive (not included)
Form	Square, fins
Length	0,748" (19,00 mm)
Width	0,748" (19,00 mm)
Height from base (Height of fins)	0,370" (9,40 mm)
Thermal resistance @ circulating air	5,3°C/W @ 200 LFM
Material	Aluminium
Material Surface Finishing	Black anodized