

armStoneMX8MP Heatspreader MHS.AS8MP.1 & Heatsink MHS.AS8MP.2 Datasheet



**Elektronik
Systeme**

© F&S Elektronik Systeme GmbH

Untere Waldplätze 23

D-70569 Stuttgart

Phone: +49(0)711-123722-0

Fax: +49(0)711-123722

1 Table of contents

2	Change History	3
3	About this document	3
4	Technical Specifications	4
4.1	Heatspreader	4
4.2	Heatsink	4
4.3	Thermal Interface Material (TIM) Heatspreader.....	5
4.4	Thermal Interface Material (TIM) Heatsink	5
5	Mechanical Dimensions	6
5.1	Mechanical Dimensions of Heatspreader	6
5.2	Mechanical Dimensions of Heatsink	6
5.3	Mechanical Dimensions of TIM (Heatspreader).....	7
5.4	Mechanical Dimensions of TIM (Heatsink)	7
6	Scope of delivery	8
7	Appendix.....	8



2 Change History

Version #	Changed Section	Author	Date	Change description
001		TM	29.03.2023	Initial Version

3 About this document

This document describes the individual components of article "MHS.AS8MP.1" and "MHS.AS8MP.2" on a technical and thermal level for the armStoneMX8MP.

4 Technical Specifications

4.1 Heatspreader



Figure 1: Heatspreader TOP

Heatspreader		Unit	Test Method	Remarks
Material	EN AW-6061	-		
Coating	Black anodized	-		
Thermal conductivity	170-200	W/mK		@ 20°C
Weight	33	Grams		Heatspreader only
Thermal resistance	TBD	W/mK		

4.2 Heatsink



Figure 2: Heatsink

Heatspreader		Unit	Test Method	Remarks
Material	EN AW-6061	-		
Coating	Black anodized	-		
Thermal conductivity	170-200	W/mK		@ 20°C
Weight	20	Grams		Heatsink only
Thermal resistance	TBD	W/mK		

4.3 Thermal Interface Material (TIM) Heatspreader



Figure 3: Thermal Interface Pad Heatspreader

Thermal Interface Material (TIM)		Unit	Test Method	Remarks
Color	Gray	-	Visual	
Thermal conductivity	12	W/mK	ASTM D5470	
Dielectric Breakdown Voltage	>9,0	kV/mm	ASTM D 149	
Volume Resistivity	1,0x10 ¹³	Ohm-cm	ASTM D 257	
Density	3,3	g / cm ³	ASTM D 792	
Tensile strength	<13,8	PSI	ASTM D 412	
Continuous Use Temperature	-60 – 200	°C	-	
Hardness Bulk Rubber	45-70	Shore 00	ASTM D 2240	
Flame Rating	UL 94V-0	-	UL 94	

4.4 Thermal Interface Material (TIM) Heatsink



Figure 4: Thermal Interface Pad Heatsink

Thermal Interface Material (TIM)		Unit	Test Method	Remarks
Color	Light Pink	-	Visual	
Thermal conductivity	8	W/mK	ASTM D5470	
Dielectric Breakdown Voltage	>9,0	kV/mm	ASTM D 149	
Volume Resistivity	1,5x10 ¹¹	Ohm-cm	ASTM D 257	
Density	3,2	g / cm ³	ASTM D 792	
Tensile strength	<15	PSI	ASTM D 412	
Continuous Use Temperature	-60 – 200	°C	-	
Hardness Bulk Rubber	15-70	Shore 00	ASTM D 2240	
Flame Rating	UL 94V-0	-	UL 94	

5 Mechanical Dimensions

5.1 Mechanical Dimensions of Heatspreader

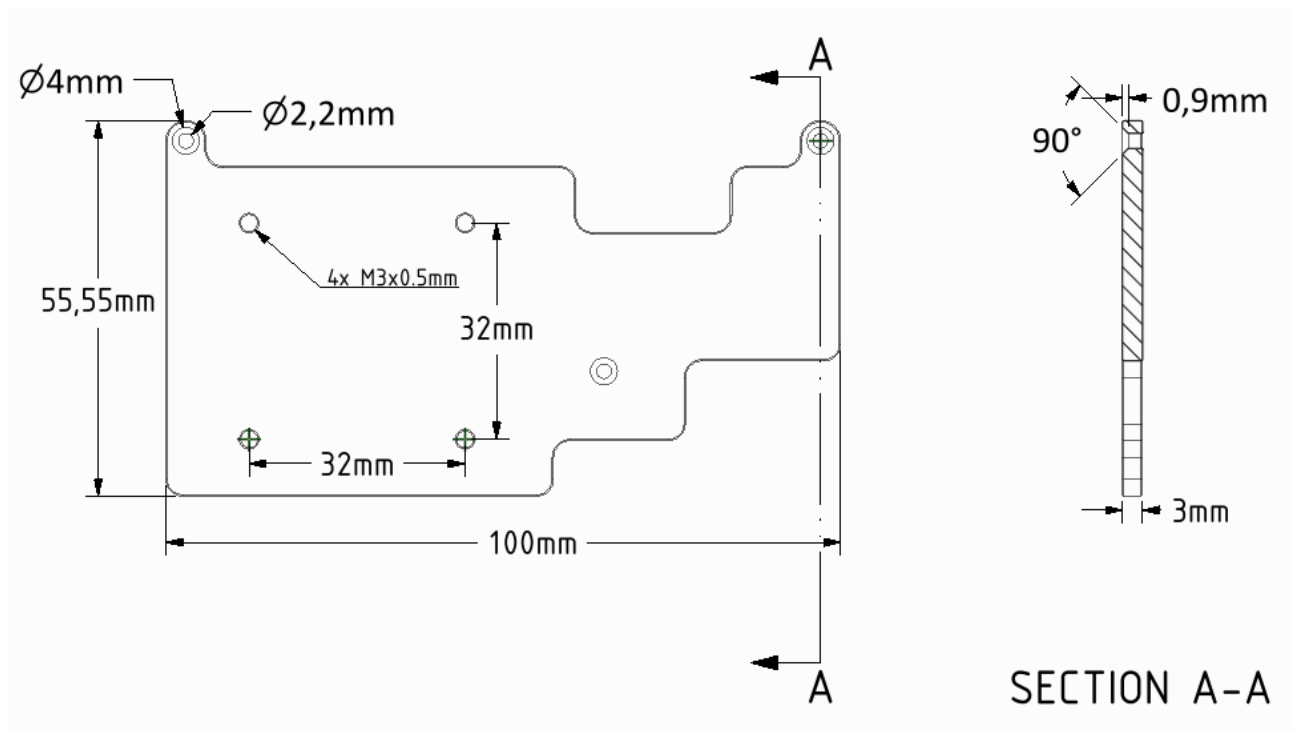


Figure 5: Mechanical dimensions of heatspreader

5.2 Mechanical Dimensions of Heatsink

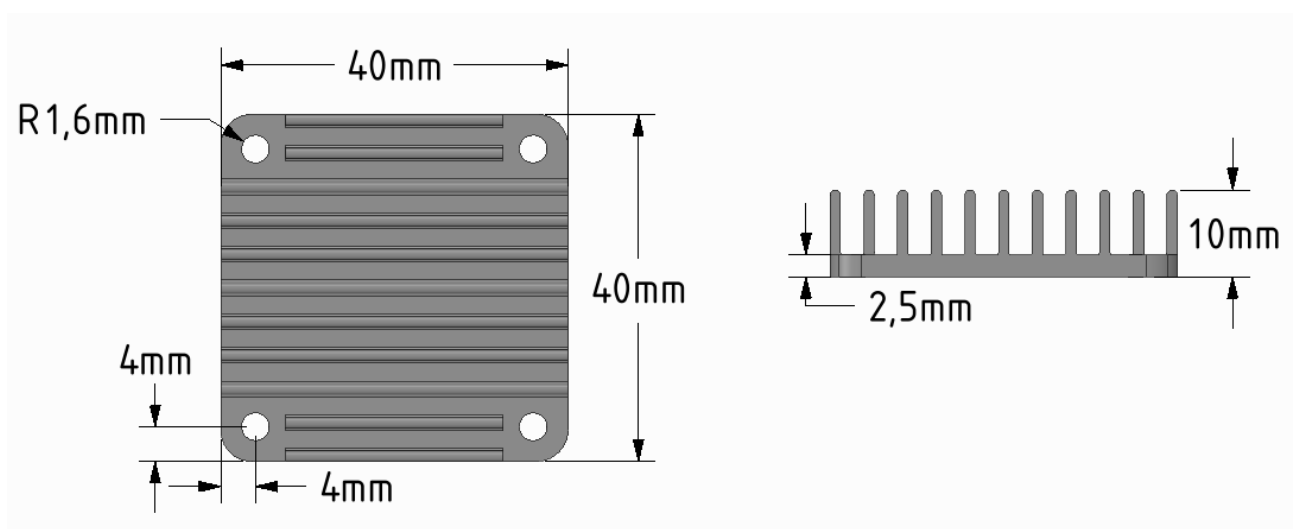


Figure 6: Mechanical dimensions of heatsink

5.3 Mechanical Dimensions of TIM (Heatspreader)

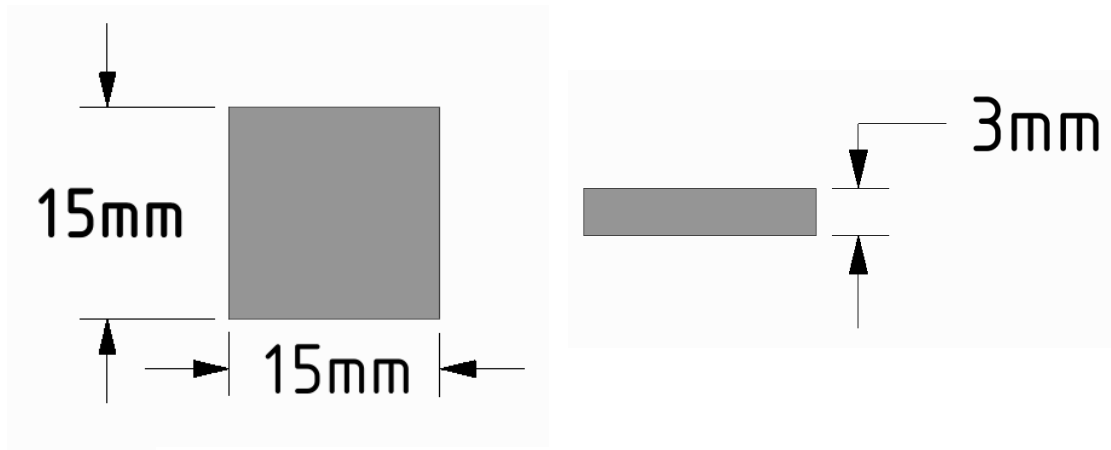


Figure 7: Mechanical dimensions TIM heatspreader

5.4 Mechanical Dimensions of TIM (Heatsink)

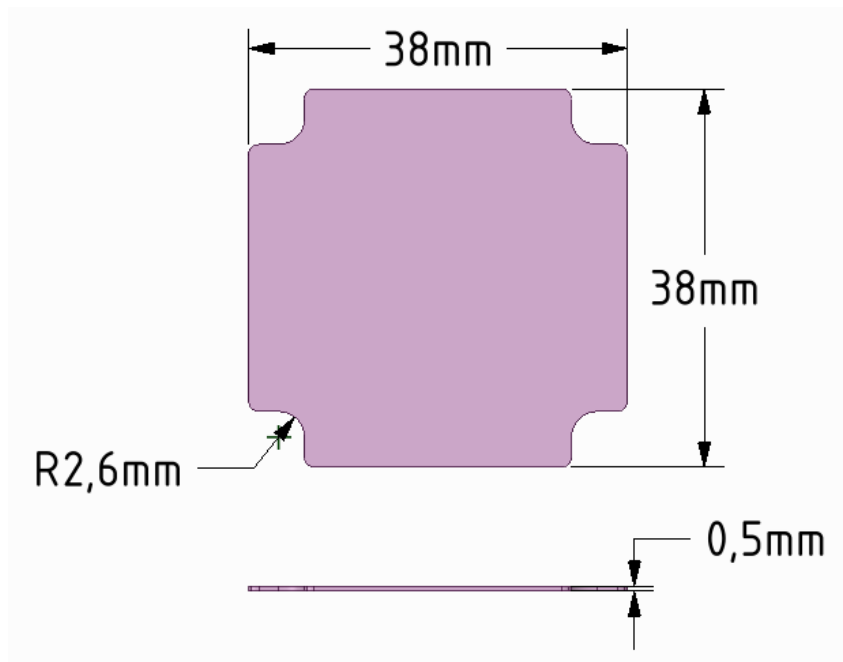


Figure 8: Mechanical dimensions TIM heatsink

6 Scope of delivery

MHS.AS8MP.1:

Article	Quantity
Heatspreader	1
TIM 15x15x3mm	1
4mm Standoffs M2/M3	2
M2x5mm countersunk screws DIN 965	3

MHS.AS8MP.2:

Article	Quantity
Heatsink	1
TIM 38x38x0.5mm	1
M3x5mm screws DIN 7985 A2	4
Heatspreader	1
TIM 15x15x3mm	1
4mm Standoffs M2/M3	2
M2x5mm countersunk screws DIN 965	3

7 Appendix

Important Notice

The information in this publication has been carefully checked and is believed to be entirely accurate at the time of publication. F&S Elektronik Systeme ("F&S") assumes no responsibility, however, for possible errors or omissions, or for any consequences resulting from the use of the information contained in this documentation.

F&S reserves the right to make changes in its products or product specifications or product documentation with the intent to improve function or design at any time and without notice and is not required to update this documentation to reflect such changes.

F&S makes no warranty or guarantee regarding the suitability of its products for any particular purpose, nor does F&S assume any liability arising out of the documentation or use of any product and specifically disclaims any and all liability, including without limitation any consequential or incidental damages.

Specific testing of all parameters of each device is not necessarily performed unless required by law or regulation.

Products are not designed, intended, or authorized for use as components in systems intended for applications intended to support or sustain life, or for any other application in which the failure of the product from F&S could create a situation where personal injury or death may occur. Should the Buyer purchase or use a F&S product for any such unintended or unauthorized application, the Buyer shall indemnify and hold F&S and its officers, employees, subsidiaries, affiliates, and distributors harmless against all claims, costs, damages, expenses, and reasonable attorney fees arising out of, either directly or indirectly, any claim of personal injury or death that may be associated with such unintended or unauthorized use, even if such claim alleges that F&S was negligent regarding the design or manufacture of said product.

Specifications are subject to change without notice.



Warranty Terms

Hardware Warranties

F&S guarantees hardware products against defects in workmanship and material for a period of one (1) year from the date of shipment. Your sole remedy and F&S's sole liability shall be for F&S, at its sole discretion, to either repair or replace the defective hardware product at no charge or to refund the purchase price. Shipment costs in both directions are the responsibility of the customer. This warranty is void if the hardware product has been altered or damaged by accident, misuse or abuse.

Software Warranties

Software is provided "AS IS". F&S makes no warranties, either express or implied, with regard to the software object code or software source code either or with respect to any third party materials or intellectual property obtained from third parties. F&S makes no warranty that the software is useable or fit for any particular purpose. This warranty replaces all other warranties written or unwritten. F&S expressly disclaims any such warranties. In no case shall F&S be liable for any consequential damages.

Disclaimer of Warranty

THIS WARRANTY IS MADE IN PLACE OF ANY OTHER WARRANTY, WHETHER EXPRESSED, OR IMPLIED, OF MERCHANTABILITY, FITNESS FOR A SPECIFIC PURPOSE, NON-INFRINGEMENT OR THEIR EQUIVALENTS UNDER THE LAWS OF ANY JURISDICTION, EXCEPT THE WARRANTY EXPRESSLY STATED HEREIN. THE REMEDIES SET FORTH HEREIN SHALL BE THE SOLE AND EXCLUSIVE REMEDIES OF ANY PURCHASER WITH RESPECT TO ANY DEFECTIVE PRODUCT.

Limitation on Liability

UNDER NO CIRCUMSTANCES SHALL F&S BE LIABLE FOR ANY LOSS, DAMAGE OR EXPENSE SUFFERED OR INCURRED WITH RESPECT TO ANY DEFECTIVE PRODUCT. IN NO EVENT SHALL F&S BE LIABLE FOR ANY INCIDENTAL OR CONSEQUENTIAL DAMAGES THAT YOU MAY SUFFER DIRECTLY OR INDIRECTLY FROM USE OF ANY PRODUCT. BY ORDERING THE PRODUCT, THE CUSTOMER APPROVES THAT THE F&S PRODUCT, HARDWARE AND SOFTWARE, WAS THOROUGHLY TESTED AND HAS MET THE CUSTOMER'S REQUIREMENTS AND SPECIFICATIONS

