



**MULTI-INNO TECHNOLOGY CO., LTD.**

[www.multi-inno.com](http://www.multi-inno.com)

## LCD MODULE SPECIFICATION

**Model : MI0700AJT-54CP**

This module uses ROHS material

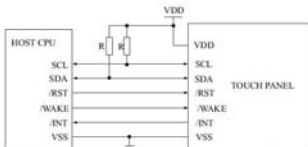
**For Customer's Acceptance:**

Customer	
Approved	
Comment	

This is a customized LCD module, with any changes related to mechanical, electrical or raw materials, Multi-Inno should get the formal approval from end customer first.

Revision	1.4
Engineering	
Date	2016-04-11
Our Reference	

**REVISION RECORD**

REV NO.	REV DATE	CONTENTS	REVISED PAGE NO.
1.0	2015-08-25	First Release	
1.1	2015-10-28	Modify surface treatment from glare to anti-glare	P.4~5
		Modify backlight circuit.LED quantity changed from 15pcs to 30pcs.Its driving parameter is changed from 9.6V@260mA to 9.2V@225mA	P.5~6
		Change material of Metal Frame into Stainless Steel	P.5
1.2	2016-03-16	1.Add power voltage typical and maximum value 2.Remove LED analog dimming 3.Add Logic high and low voltag minimum value 4.Modify PWM dimming frequency from 200Hz(Min.) and 20KHz(Max.) to 100Hz(Min.) to 8KHz(Max.) 5.Remove diagram analog dimming	P.6
1.3	2016-03-25	Reformat Specification	
1.4	2016-04-11	Add ntoe*:The LEDCTRL can alternatively be used with a PWM.	P.7
		Add ntoe1~4: Note1: LR= high: OUT1→OUT 800 (internally pull high), Jumper (R70) as default. LR= low: OUT800→OUT 1, Jumper (R71) Note 2: UD=high: OUT1→OUT480 , Jumper (R68) UD=low: OUT480→OUT1(internally pull low), Jumper (R69) as default. Note3: SYNC AND DE MODE SETTING DE MODE: ONLY DEN AND DCLK ARE NECESSARY SYNC MODE: HSYNC / VSYNC AND DCLK ARE NECESSARY Note4: SYNC Mode Default	P.11
		Correct Application Notes	P.12~14
		Add Block Diagram:  NOTE : VALUE OF PULL-UP RESISTORS(R) DEPENDS ON CLOCK SPEED, NUMBER OF CHIPS ON THE I2C BUS AND NOISE LEVEL. LOW SPEED 4.7K TO 10K OR HIGHER, HIGH SPEED 1K TO 4.7K OR HIGHER. SIGNALS SHOULD BE MEASURED WITH AN OSCILLOSCOPE TO VERIFY WAVEFORM AND HIGH / LOW LEVELS.	P.16



# CONTENTS

- GENERAL INFORMATION
- EXTERNAL DIMENSIONS
- ABSOLUTE MAXIMUM RATINGS
- ELECTRICAL CHARACTERISTICS
- BACKLIGHT CHARACTERISTICS
- ELECTRO-OPTICAL CHARACTERISTICS
- INTERFACE DESCRIPTION
- APPLICATION NOTES
- CTP SPECIFICATIONS
- RELIABILITY TEST
- INSPECTION CRITERION
- PRECAUTIONS FOR USING LCD MODULES
- USING LCD MODULES
- PRIOR CONSULT MATTER

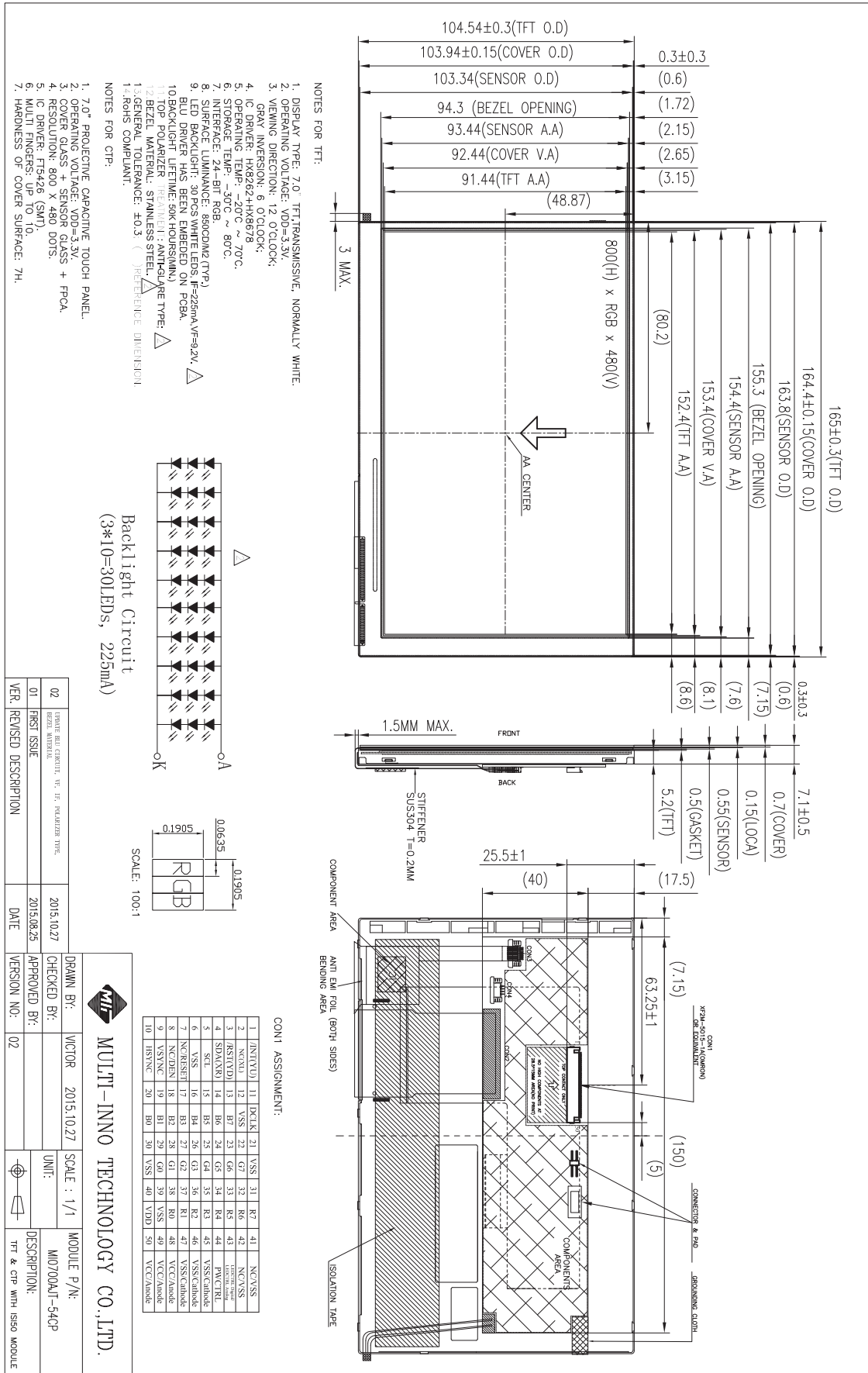
**■ GENERAL INFORMATION**

Item	Contents	Unit
LCD type	TFT/Transmissive/Normally white	/
Size	7.0	Inch
Viewing direction	12:00(without image inversion and least brightness change)	O' Clock
Gray scale inversion direction	6:00 (contrast peak located at)	O' Clock
LCM (W × H × D )	165.00×104.54×7.10	mm <sup>3</sup>
Active area (W×H)	152.40×91.44	mm <sup>2</sup>
Pixel pitch (W×H)	0.1905×0.1905	mm <sup>2</sup>
Number of dots	800 (RGB) × 480	/
Backlight type	15 LEDs	/
Driver IC	HX8262+HX8678	/
Interface type	24bit RGB	/
Color depth	16.7M	/
Pixel configuration	R.G.B vertical stripe	/
Top polarizer surface treatment	Anti-Glare	/
Input voltage	3.3	V
With/Without TSP	With CTP	/
TP surface treatment	TBD	/
Weight	TBD	g

Note 1: RoHS compliant;

Note 2: LCM weight tolerance: ± 5% .

**EXTERNAL DIMENSIONS**



## ■ ABSOLUTE MAXIMUM RATINGS

Parameter	Symbol	Min	Max	Unit
Power voltage(logic)	VDD	-0.3	6.0	V
Power voltage(Backlight driver)	VCC	-0.3	-	V
Input logic voltage	VIN	-0.3	VDD+0.3V	
Operating temperature	T <sub>OP</sub>	-20	70	°C
Storage temperature	T <sub>ST</sub>	-30	80	°C

Note :VIN: DCLK,R0-R7,G0-G7,B0-B7.

## ■ ELECTRICAL CHARACTERISTICS

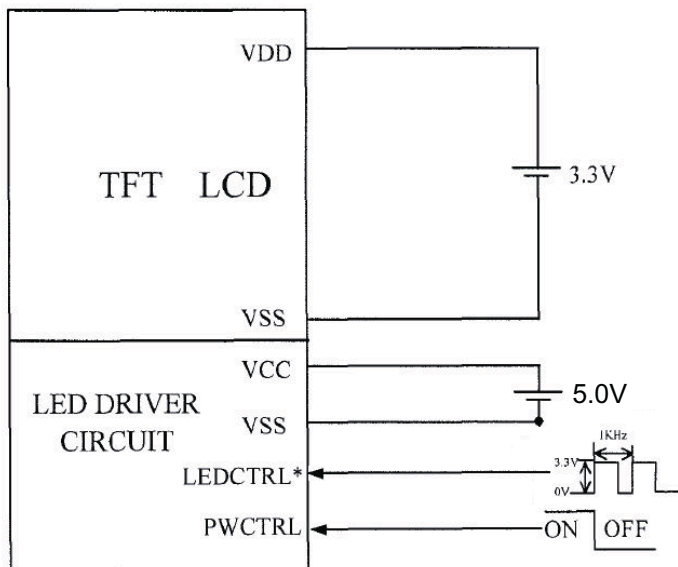
Parameter	Symbol	Min	Typ	Max	Unit	Condition
Power supply voltage	VDD	3.0	3.3	3.6	V	
LCD power current	IDD	-	TBD	-	mA	Black pattern
Input voltage 'H' level	V <sub>IH</sub>	0.7VDD	-	VDD	V	Note 1
Input voltage 'L' level	V <sub>IL</sub>	0	-	0.3VDD	V	

Note 1:DCLK,DE,R0-R7,G0-G7,B0-B7.

## ■ BACKLIGHT CHARACTERISTICS

Parameter	Symbol	Min	Typ	Max	Unit	Condition
Power voltage(driver)	VCC	3.3	5.0	5.5	V	
Current for driver	IVCC	-	TBD	-	mA	
Diming control for LED backlight	LEDCTRL	1.6	3.3	-	V	PWM Signal Note3
	DIGITAL	100	1K	8K	Hz	
Power enable	PWCTRL	1.6	3.3	-	V	Power On
Voltage for LED backlight	VF	-	9.2	-	V	Note1
Current for LED backlight	IF	-	225	-	mA	
LED life time	-	50,000	-	-	Hr	Note2

Note1: Power supply for LCM.



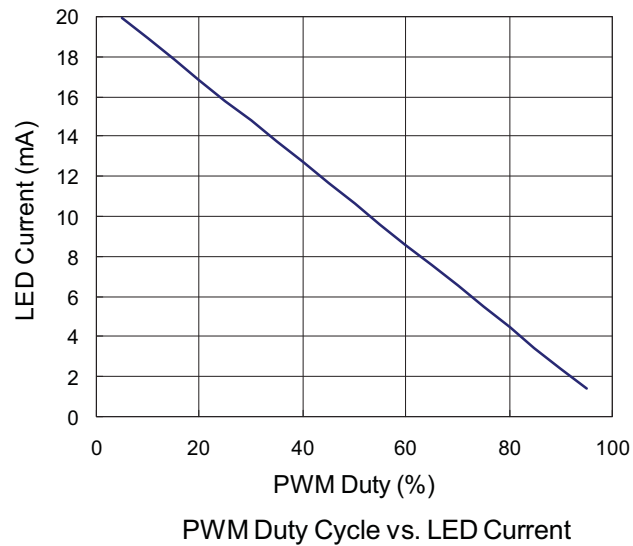


\* The LEDCTRL can alternatively be used with a PWM.

Note 2: The LED supply voltage is defined by the number of LED at Ta=25°C and IF=225mA.

Note 3: The "LED life time" is defined as the module brightness decrease to 50% original brightness at Ta=25°C and IF=225mA. The LED life time could be decreased if operating IF is larger than 225mA.

Note 4:



**■ELECTRO-OPTICAL CHARACTERISTICS**

Item	Symbol	Condition	Min	Typ	Max	Unit	Remark	Note
Response time	Tr+Tf	$\theta=0^\circ$ $\varnothing=0^\circ$ Ta=25°C	-	16	26	ms	FIG 1.	4
Contrast ratio	Cr		250	400	-	---	FIG 2.	1
Luminance uniformity	$\delta$ WHITE		70	-	-	%	FIG 2.	3
Surface Luminance	Lv		-	850	-	cd/m <sup>2</sup>	FIG 2.	2
Viewing angle range	$\theta$	$\varnothing = 90^\circ$	50	60	-	deg	FIG 3.	6
		$\varnothing = 270^\circ$	60	70	-	deg	FIG 3.	
		$\varnothing = 0^\circ$	60	70	-	deg	FIG 3.	
		$\varnothing = 180^\circ$	60	70	-	deg	FIG 3.	
CIE (x, y) chromaticity	White	x	$\theta=0^\circ, \varnothing=0^\circ$ Ta=25°C	0.249	0.299	0.349	FIG 2.	5
		y		0.278	0.328	0.378		
NTSC	-	-	-	45	-	%	-	-

Note 1. Contrast Ratio(CR) is defined mathematically as For more information see FIG 2.:

$$\text{Contrast Ratio} = \frac{\text{Average Surface Luminance with all white pixels (P}_1, \text{P}_2, \text{P}_3, \text{P}_4, \text{P}_5)}{\text{Average Surface Luminance with all black pixels (P}_1, \text{P}_2, \text{P}_3, \text{P}_4, \text{P}_5)}$$

Note 2. Surface luminance is the LCD surface from the surface with all pixels displaying white. For more information see FIG 2.

$$L_v = \text{Average Surface Luminance with all white pixels (P}_1, \text{P}_2, \text{P}_3, \text{P}_4, \text{P}_5)$$

Note 3. The uniformity in surface luminance,  $\delta$  WHITE is determined by measuring luminance at each test position 1 through 5, and then dividing the maximum luminance of 5 points luminance by minimum luminance of 5 points luminance. For more information see FIG 2.

$$\delta \text{ WHITE} = \frac{\text{Minimum Surface Luminance with all white pixels (P}_1, \text{P}_2, \text{P}_3, \text{P}_4, \text{P}_5)}{\text{Maximum Surface Luminance with all white pixels (P}_1, \text{P}_2, \text{P}_3, \text{P}_4, \text{P}_5)}$$

Note 4. Response time is the time required for the display to transition from White to black(Rise Time, Tr) and from black to white(Decay Time, Tf). For additional information see FIG 1. The test equipment is Autronic-Melchers's ConoScope. Series

Note 5. CIE (x, y) chromaticity, The x,y value is determined by measuring luminance at each test position 1 through 5, and then make average value

Note 6. Viewing angle is the angle at which the contrast ratio is greater than 2. For TFT module the contrast ratio is greater than 10. The angles are determined for the horizontal or x axis and the vertical or y axis with respect to the z axis which is normal to the LCD surface. For more information see FIG 3.

Note 7. For Viewing angle and response time testing, the testing data is base on Autronic-Melchers's ConoScope. Series Instruments. For contrast ratio, Surface Luminance, Luminance uniformity, CIE The test data is base on TOPCON's BM-5 photo detector.

Note 8. For TFT module, Gray scale reverse occurs in the direction of panel viewing angle.



FIG.1. The definition of Response Time

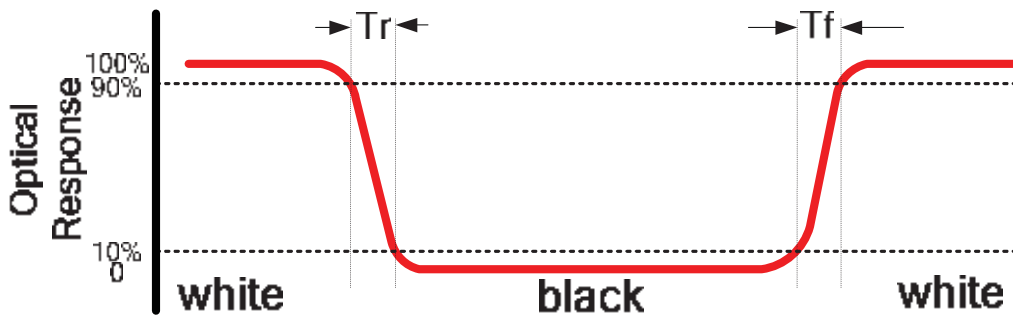


FIG.2. Measuring method for Contrast ratio, surface luminance, Luminance uniformity, CIE (x, y) chromaticity

A : 5 mm  
 B : 5 mm  
 H, V : Active Area  
 Light spot size  $\varnothing=5\text{mm}$ , 500mm distance from the LCD surface to detector lens  
 measurement instrument is TOPCON's luminance meter BM-5

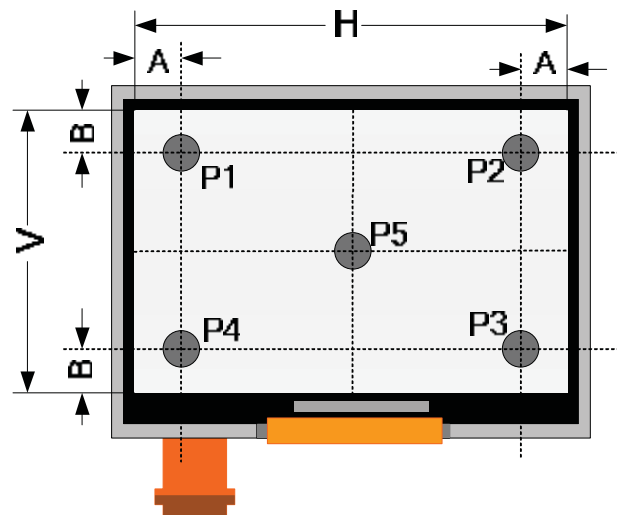
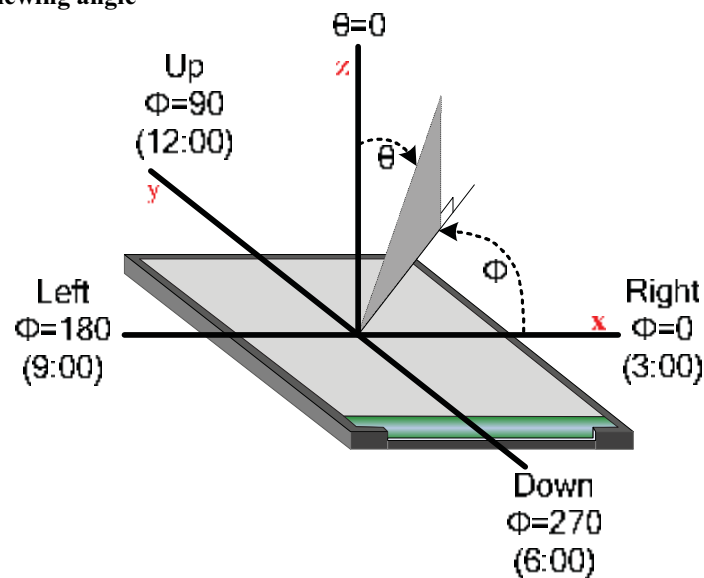


FIG.3. The definition of viewing angle



**■ INTERFACE DESCRIPTION**

Pin No.	Symbol	I/O	Function	Remark
1	/INT(YU)	I	Interrupt signal to host from CTP	CTP
2	NC(XL)	I	No connection	CTP
3	/RST(YD)	I	Reset.active low	CTP
4	SDA(XR)	I	I2C data signal	CTP
5	SCL	-	I2C clock signal	CTP
6	VSS	P	Power ground	CTP
7	NC/RESET	I	No connection(Default)/TFT system reset	
8	NC/DEN	I	No connection(Default)/Data enable	
9	VSYNC	I	Vertical SYNC	
10	HSYNC	I	Horizontal SYNC	
11	DCLK	I	Clock signals	
12	VSS	P	Power ground	
13	B7	I	Blue data	
14	B6	I	Blue data	
15	B5	I	Blue data	
16	B4	I	Blue data	
17	B3	I	Blue data	
18	B2	I	Blue data	
19	B1	I	Blue data	
20	B0	I	Blue data	
21	VSS	P	Power ground	
22	G7	I	Green data	
23	G6	I	Green data	
24	G5	I	Green data	
25	G4	I	Green data	
26	G3	I	Green data	
27	G2	I	Green data	
28	G1	I	Green data	
29	G0	I	Green data	
30	VSS	P	Power ground	
31	R7	I	Red data	
32	R6	I	Red data	
33	R5	I	Red data	
34	R4	I	Red data	
35	R3	I	Red data	
36	R2	I	Red data	
37	R1	I	Red data	
38	R0	I	Red data	
39	VSS	P	Power ground	
40	VDD	P	Power supply for logic	



41	NC/VSS	-	No connection(Default)/power ground			
42	NC/VSS	-	No connection(Default)/power ground			
43	LEDCTRL digital/ LEDCTRL analog	I	Brightness controls for LED backlight digital (PWM) default / Brightness controls for LED backlight analog .			Backlight
44	PWCTRL	I		PWCTRL	REMARK	Backlight
			Logic level H=3.3V, L=0V	H L	Power on Power off	
45	VSS/Cathode	P	Power ground (default)/ Power for LED backlight cathode using external LED power supply			Backlight
46	VSS/Cathode	P	Power ground (default)/ Power for LED backlight cathode using external LED power supply			Backlight
47	VSS/Cathode	P	Power ground (default)/ Power for LED backlight cathode using external LED power supply			Backlight
48	VCC/Anode	P	Power supply for LED driver (default) / Power for LED backlight anode using external LED power supply			Backlight
49	VCC/Anode	P	Power supply for LED driver (default) / Power for LED backlight anode using external LED power supply			Backlight
50	VCC/Anode	P	Power supply for LED driver (default) / Power for LED backlight anode using external LED power supply			Backlight

I: input, O: output, P: Power

Note1:

LR= high: OUT1→OUT 800 (internally pull high), Jumper (R70) as default.

LR= low: OUT800→OUT 1, Jumper (R71)

Note 2:

UD=high: OUT1→OUT480 , Jumper (R68)

UD=low: OUT480→OUT1(internally pull low), Jumper (R69) as default.

Note3: SYNC AND DE MODE SETTING

DE MODE: ONLY DEN AND DCLK ARE NECESSARY

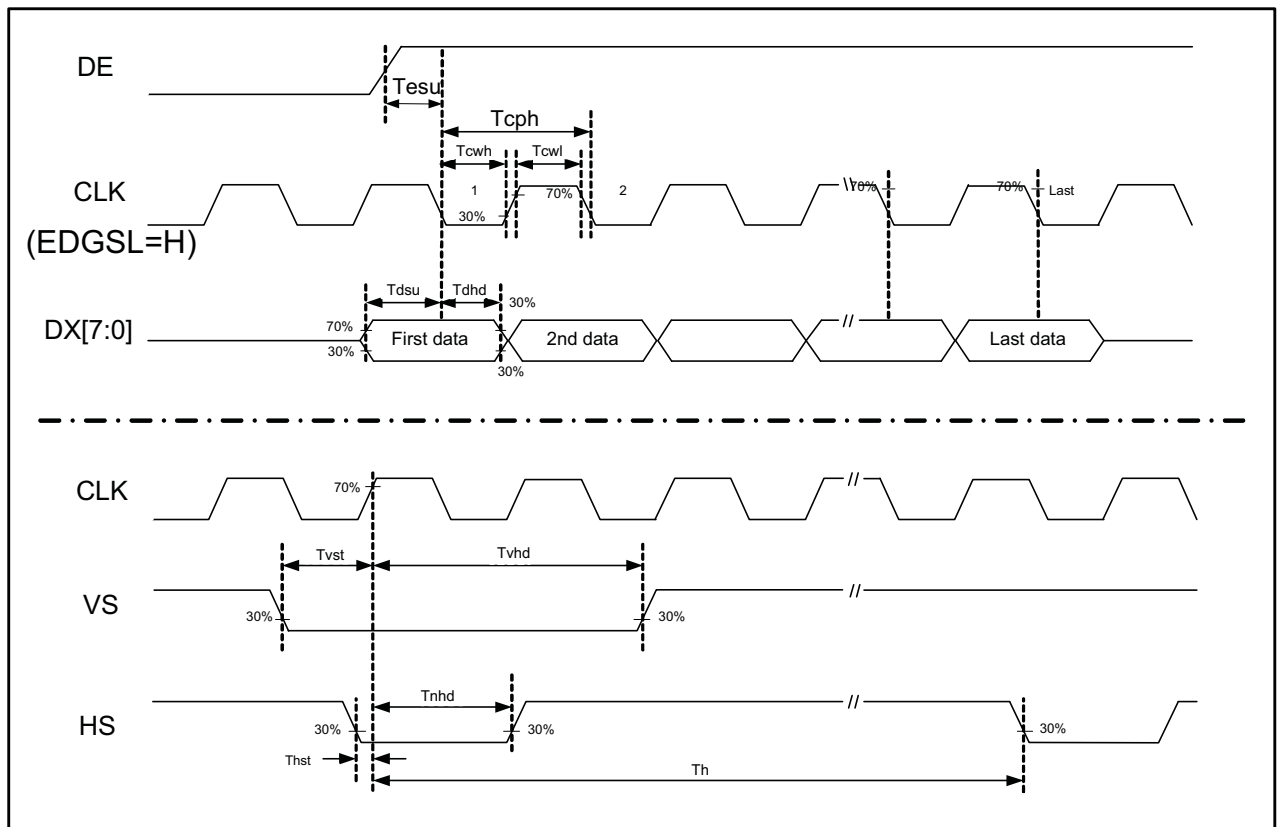
SYNC MODE: HSYNC / VSYNC AND DCLK ARE NECESSARY

Note4: SYNC Mode Default

## ■ APPLICATION NOTES

### 1. AC electrical characteristics

PARAMETER	Symbol	Spec.			Unit
		Min.	Typ.	Max.	
HS setup time	$T_{hst}$	6	-	-	ns
HS hold time	$T_{hhd}$	6	-	-	ns
VS setup time	$T_{vst}$	6	-	-	ns
VS hold time	$T_{vhd}$	6	-	-	ns
Data setup time	$T_{dsu}$	6	-	-	ns
Data hold time	$T_{dhhd}$	6	-	-	ns
DE setup time	$T_{esu}$	6	-	-	ns
Source output settling time	$T_{ST}$	-	-	15	$\mu$ s
Source output loading R	$R_{SL}$	-	2	-	K ohm
Source output loading C	$C_{SL}$	-	60	-	pF



**Clock and Data input waveforms.**

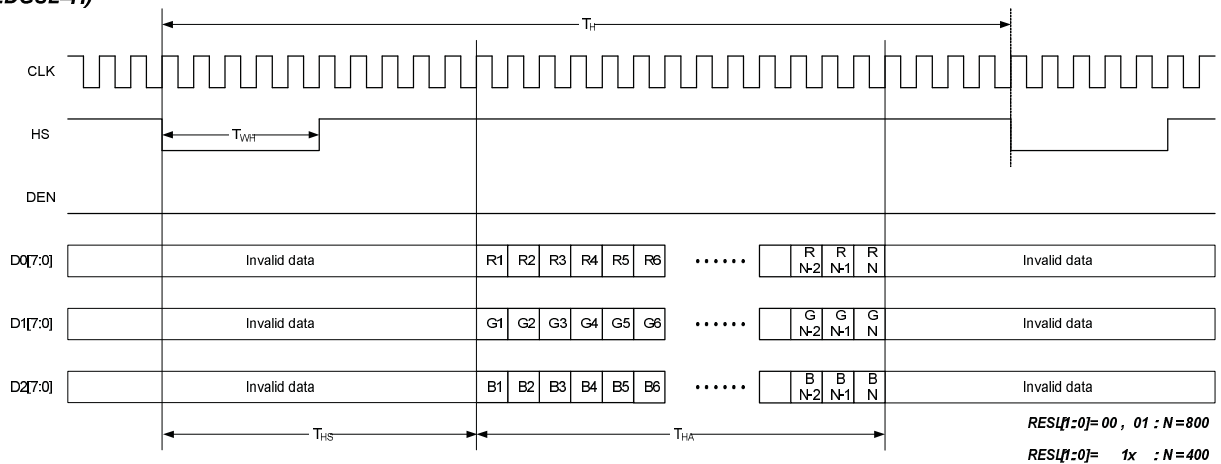
## 2. SYNC Mode Signal Characteristics

PARAMETER	Symbol	Spec.			Unit
		Min.	Typ.	Max.	
CLK frequency	$F_{CPH}$	-	33.26	-	MHz
CLK period	$T_{CPH}$	-	30.06	-	ns
CLK pulse duty	$T_{CWH}$	40	50	60	%
HS period	$T_H$	930	1056	1057	$T_{CPH}$
HS pulse width	$T_{WH}$	1	128	-	$T_{CPH}$
HS-first horizontal data time	$T_{HS}$	-	216	-	$T_{CPH}$
HS Active Time	$T_{HA}$	-	800	-	$T_{CPH}$
VS period	$T_V$	-	525	-	$T_H$
VS pulse width	$T_{WV}$	1	2	-	$T_H$
VS-DE time	$T_{VS}$	-	35	-	$T_H$
VS Active Time	$T_{VA}$	-	480	-	$T_H$

Note : We suggest using the typical value, so it can have better performance.

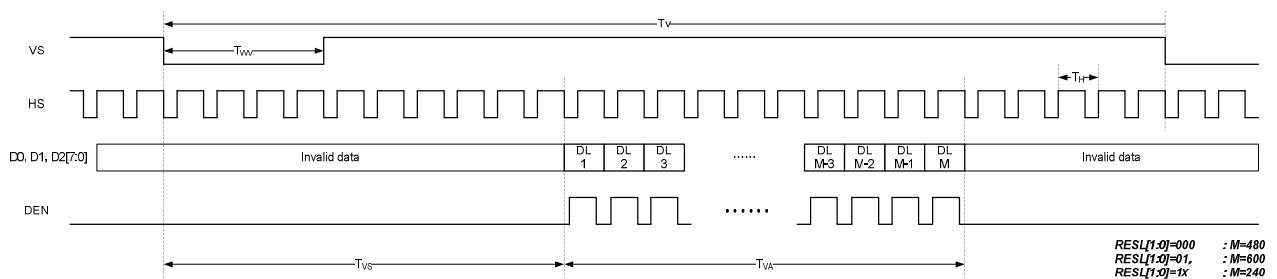
### 2.1 Data Input Format

#### Horizontal Timing (SYNC mode) (EDGSL=H)



#### SYNC Mode Horizontal Data Format

#### Vertical Timing

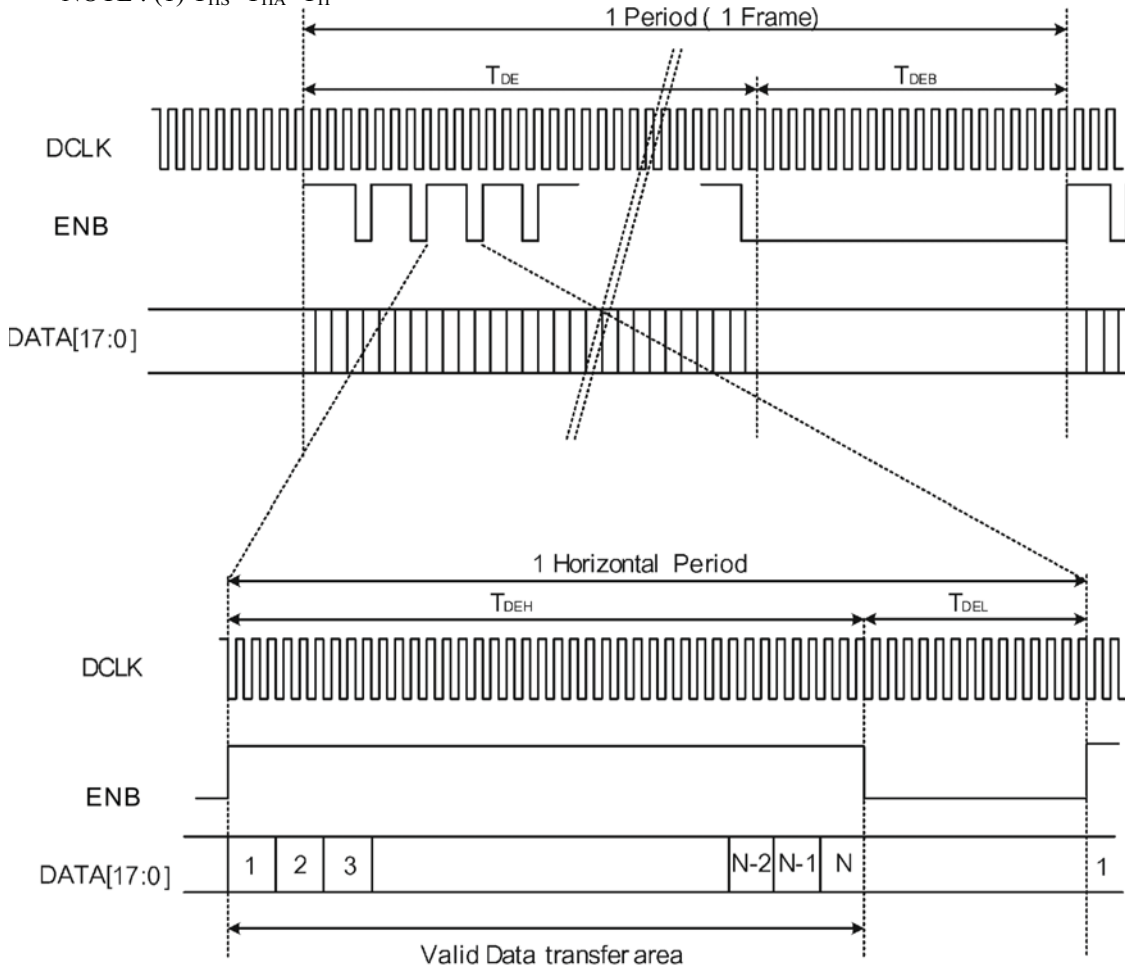


#### SYNC Mode Vertical Data Format

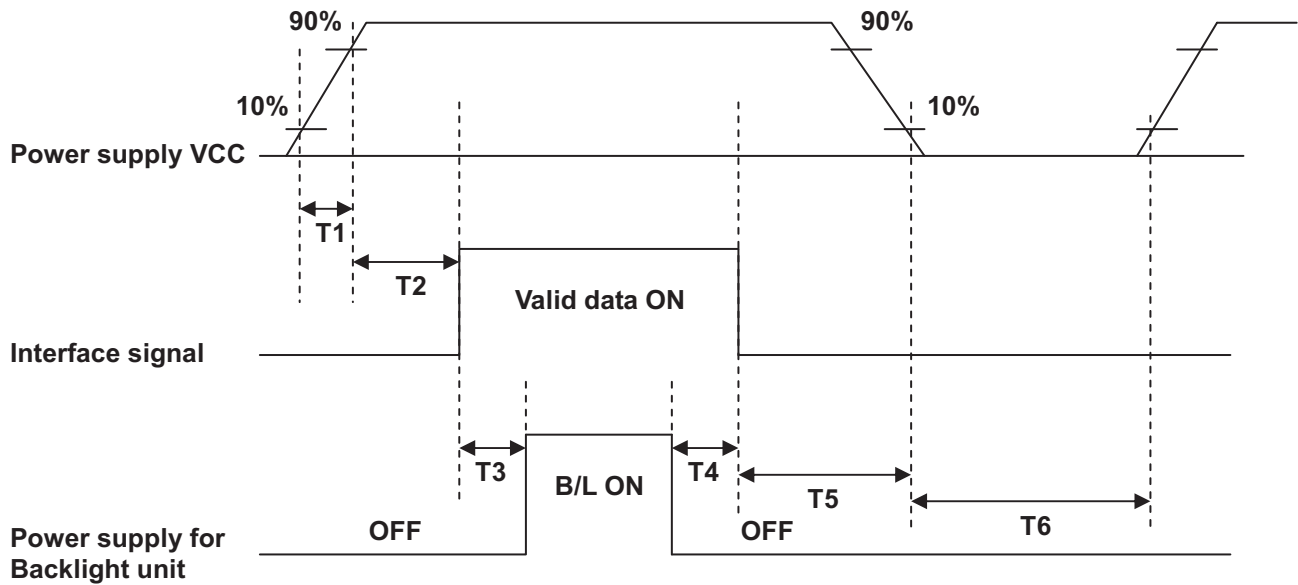
### 3. DE Mode Signal Characteristics

PARAMETER	SYMBOL	MIN.	TYP.	MAX.	UNIT
DCLK FREQUENCY	$F_{CPH}$	—	33.26	—	MHz
DCLK PERIOD	$T_{CPH}$	—	30.06	—	ns
DCLK PULSE DUTY	$T_{CWH}$	40	50	60	%
ENB PERIOD	$T_{DEH} + T_{DEL}$	1000	1056	1200	$T_{CPH}$
ENB PULSE WIDTH	$T_{DEH}$	—	800	—	$T_{CPH}$
ENB FRAME BLANKING	$T_{DEB}$	10	45	110	$T_{DEH} + T_{DEL}$
ENB FRAME WIDTH	$T_{DE}$	—	480	—	$T_{DEH} + T_{DEL}$
OEV PULSE WIDTH	$T_{OEV}$	—	150	—	$T_{CPH}$
CKV PULSE WIDTH	$T_{CKV}$	—	133	—	$T_{CPH}$
ENB(INTERNAL)-STV TIME	$T_1$	—	4	—	$T_{CPH}$
ENB(INTERNAL)-CKV TIME	$T_2$	—	40	—	$T_{CPH}$
ENB(INTERNAL)-OEV TIME	$T_3$	—	23	—	$T_{CPH}$
ENB(INTERNAL)-POL TIME	$T_4$	—	157	—	$T_{CPH}$
STV PULSE WIDTH	—	—	1	—	$T_H$

NOTE : (1)  $T_{HS} + T_{HA} < T_H$



## 4. Power On/Off Sequence



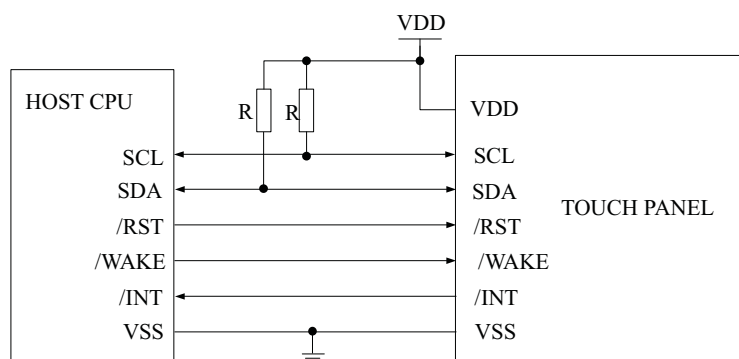
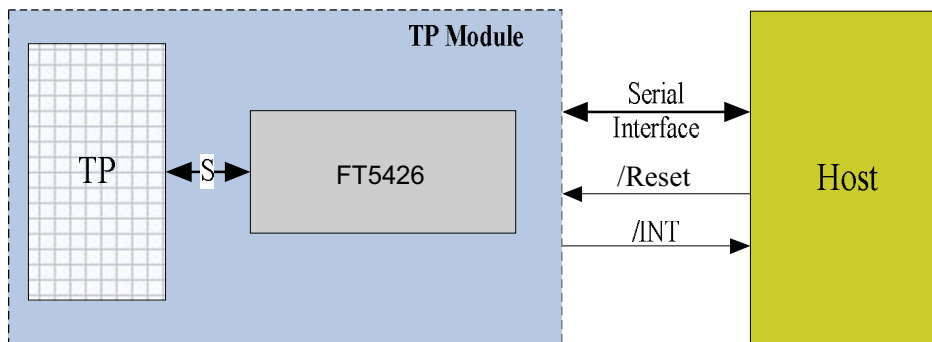
Parameter	SPEC.			Unit
	Min.	Typ.	Max.	
T1	1		2	ms
T2	0	60		ms
T3	200			ms
T4	200			ms
T5	1			ms
T6	1000			ms

## ■ CTP SPECIFICATIONS

### 1. GENERAL SPECIFICATIONS

Item	Specification	Unit
Type	Projective capacitive type touch panel	
Structure	Cover glass+Sensor glass+FPCA	
Input mode	Human' s finger	
Finger	Up to 5	
Resolution	800 x 480	dots
Cover viewing area	153.40(W) x 92.44(H)	mm
Sensor Active Area	154.40(W) x 93.44(H)	mm
Hardness	7H	Pencil hardness
Driver IC	FT5426	/

### 2. BLOCK DIAGRAM



NOTE : VALUE OF PULL-UP RESISTORS(R) DEPENDS ON CLOCK SPEED , NUMBER OF CHIPS ON THE I2C BUS AND NOISE LEVEL. LOW SPEED 4.7K TO 10K OR HIGHER, HIGH SPEED 1K TO 4.7K OR HIGHER. SIGNALS SHOULD BE MEASURED WITH AN OSCILLOSCOPE TO VERIFY WAVEFORM AND HIGH / LOW LEVELS.



### 3. CTP TIMING

The I2C is always configured in the Slave mode. The data transfer format is shown in [Figure 1-1](#).

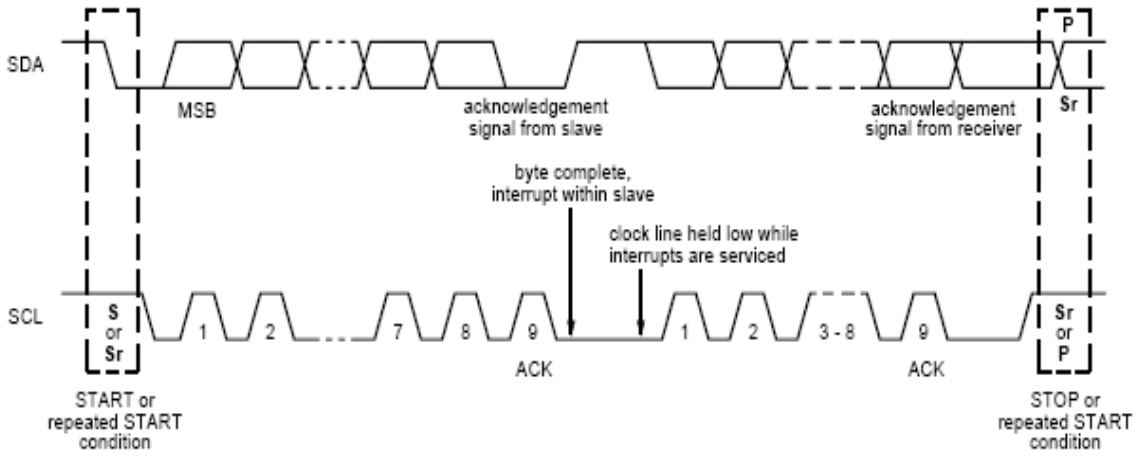


Figure 1-1 I2C Serial Data Transfer Format

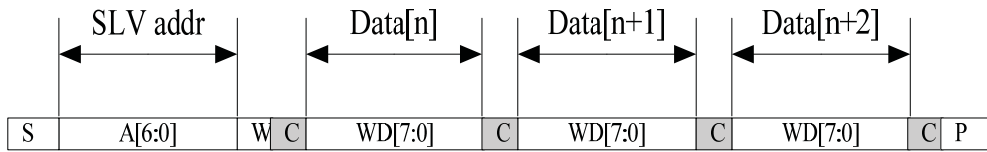


Figure 1-2 I2C master write, slave read

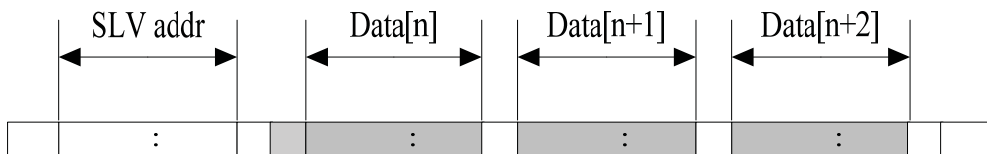


Figure 1-3 I2C master read, slave write

Table 1-1 lists the meanings of the mnemonics used in the above figures.

**Table 1-1 Mnemonics Description**

Mnemonics	Description
S	I2C Start or I2C Restart
A[6:0]	Slave address A[6:4]: 3'b011 A[3:0]: data bits are identical to those of I2CCON[7:4] register.
W	1'b0: Write
R	1'b1: Read
C	ACK
P	STOP: the indication of the end of a packet (if this bit is missing, S will indicate the end of the current packet and the beginning of the next packet)

I2C Interface Timing Characteristics is shown in Table 1-2.

**Table 1-2 I2C Timing Characteristics**

Parameter	Unit	Min	Max
SCL frequency	KHz	0	400
Bus free time between a STOP and START condition	us	4.7	\
Hold time (repeated) START condition	us	4.0	\
Data setup time	ns	250	\
Setup time for a repeated START condition	us	4.7	\
Setup Time for STOP condition	us	4.0	\

Note: More information pls refer to IC spec.

**■ RELIABILITY TEST**

No.	Test Items	Test Condition	Remark
1	High Temperature Storage Test	Ta=80°C Dry 240h	
2	Low Temperature Storage Test	Ta=-30°C Dry 240h	
3	High Temperature Operation Test	Ta=70°C Dry 240h	
4	Low Temperature Operation Test	Ta=-20°C Dry 240h	
5	High Temperature and High Humidity Operation Test	Ta=60°C 90%RH 240h	
6	Electro Static Discharge Test	150pF,330Ω, ±8KV(Contact)/±15KV(Air), 5 points/panel,5 times/point	
7	Shock Test(non-operating)	Half sine wave,180G,2ms one shock of each six faces (i.e. run 180G 2ms for all six faces)	
8	Vibration Test(non-operating)	Sine wave,10~500~10Hz,1.5G, 0.37oct/min 3 axis,1hour/axis	
9	Thermal Shock Test	-20°C(0.5h)~70°C(0.5h) / 100 cycles (Dry)	

**■ INSPECTION CRITERION**

 OUTGOING QUALITY STANDARD	PAGE 1 OF 5
TITLE:FUNCTIONAL TEST & INSPECTION CRITERIA	

This specification is made to be used as the standard acceptance/rejection criteria for TFT module.

**1 Sample plan**

- 1.1 Lot size: Quantity per shipment lot per model
- 1.2 Sampling type: Normal inspection, Single sampling
- 1.3 Inspection level: II
- 1.4 Sampling table: MIL-STD-105D
- 1.5 Acceptable quality level (AQL)
  - Major defect: AQL=0.65
  - Minor defect: AQL=1.00

**2. Inspection condition**
**2.1 Ambient conditions:**

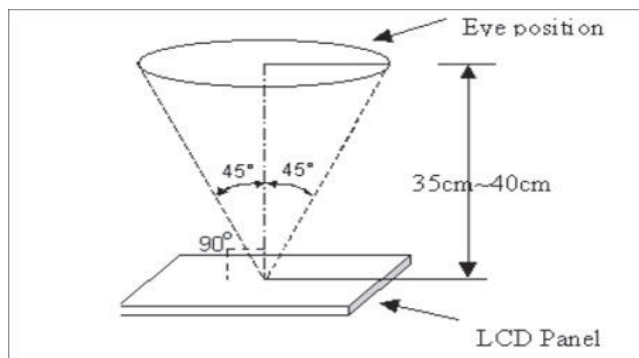
- a. Temperature: Room temperature  $25 \pm 5^\circ\text{C}$
- b. Humidity:  $(60 \pm 10)\% \text{RH}$
- c. Illumination: Single fluorescent lamp non-directive (300 to 700 Lux)


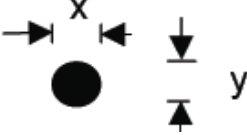
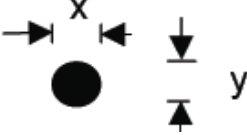
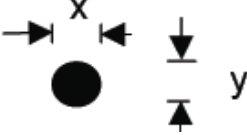
**2.2 Viewing distance:**

The distance between the LCD and the inspector's eyes shall be at least  $35 \pm 5\text{cm}$ .


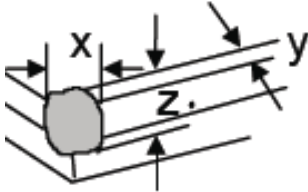
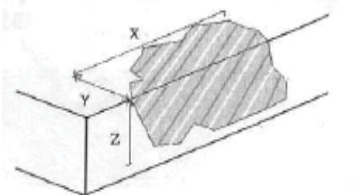
**2.3 Viewing Angle**

U/D:  $45^\circ / 45^\circ$  , L/R:  $45^\circ / 45^\circ$




 OUTGOING QUALITY STANDARD		PAGE 2 OF 5																			
TITLE:FUNCTIONAL TEST & INSPECTION CRITERIA																					
3. Inspection standards Defects are classified as major defects and minor defects according to the degree of defectiveness defined herein.																					
3.1 Major defect																					
<table border="1"> <thead> <tr> <th>Item No</th> <th>Items to be inspected</th> <th colspan="2">Inspection Standard</th> </tr> </thead> <tbody> <tr> <td>3.1.1</td> <td>All functional defects</td> <td colspan="2">                             1) No display                              2) Display abnormally                              3) Short circuit                              4) line defect                         </td> </tr> <tr> <td>3.1.2</td> <td>Missing</td> <td colspan="2">Missing function component</td> </tr> <tr> <td>3.1.3</td> <td>Crack</td> <td colspan="2">Glass crack</td> </tr> </tbody> </table>				Item No	Items to be inspected	Inspection Standard		3.1.1	All functional defects	1) No display 2) Display abnormally 3) Short circuit 4) line defect		3.1.2	Missing	Missing function component		3.1.3	Crack	Glass crack			
Item No	Items to be inspected	Inspection Standard																			
3.1.1	All functional defects	1) No display 2) Display abnormally 3) Short circuit 4) line defect																			
3.1.2	Missing	Missing function component																			
3.1.3	Crack	Glass crack																			
3.2 Minor defect																					
<table border="1"> <thead> <tr> <th>Item No</th> <th>Items to be inspected</th> <th colspan="2">Inspection standard</th> </tr> </thead> <tbody> <tr> <td rowspan="4">3.2.1</td> <td rowspan="4">                             Spot Defect Including                              Black spot                              White spot                              Pinhole                              Foreign particle                              Polarizer dirt                         </td> <td colspan="2">                             For dark/white spot is defined  <math display="block">\varphi = (x + y) / 2</math>  </td> </tr> <tr> <td>Size <math>\varphi</math>(mm)</td> <td>Acceptable Quantity</td> </tr> <tr> <td><math>\varphi \leq 0.20</math></td> <td>Ignore</td> </tr> <tr> <td><math>0.20 &lt; \varphi \leq 0.50</math></td> <td>3</td> </tr> <tr> <td></td> <td></td> <td><math>0.50 &lt; \varphi</math></td> <td>Not allowed</td> </tr> </tbody> </table>				Item No	Items to be inspected	Inspection standard		3.2.1	Spot Defect Including Black spot White spot Pinhole Foreign particle Polarizer dirt	For dark/white spot is defined $\varphi = (x + y) / 2$ 		Size $\varphi$ (mm)	Acceptable Quantity	$\varphi \leq 0.20$	Ignore	$0.20 < \varphi \leq 0.50$	3			$0.50 < \varphi$	Not allowed
Item No	Items to be inspected	Inspection standard																			
3.2.1	Spot Defect Including Black spot White spot Pinhole Foreign particle Polarizer dirt	For dark/white spot is defined $\varphi = (x + y) / 2$ 																			
		Size $\varphi$ (mm)	Acceptable Quantity																		
		$\varphi \leq 0.20$	Ignore																		
		$0.20 < \varphi \leq 0.50$	3																		
		$0.50 < \varphi$	Not allowed																		

OUTGOING QUALITY STANDARD		PAGE 3 OF 5	
TITLE:FUNCTIONAL TEST & INSPECTION CRITERIA			
3.2.2	Line Defect Including Black line White line Scratch	Define: 	
		Width(mm) Length(mm)	Acceptable Quantity
		$W \leq 0.02$	Ignore
		$0.02 < W \leq 0.05$ $L \leq 5.0$	4
		$0.05 < W$	Not allowed
3.2.3	Polarizer Dent/Bubble	Size $\phi$ (mm)	Acceptable Quantity
		$\phi \leq 0.25$	Ignore
		$0.25 < \phi \leq 0.5$	3
		$0.5 < \phi$	0
3.2.4	Electrical Dot Defect	Bright and Black dot define: 	
		Inspection pattern: Full white, Full black, Red, green and blue screens	
		Item	Acceptable Quantity
		Black dot defect	5
		Bright dot defect	2
		Total Dot	5

 OUTGOING QUALITY STANDARD		PAGE 4 OF 5	
TITLE:FUNCTIONAL TEST & INSPECTION CRITERIA			
3.2.5	Touch panel defect	1. Corner Fragment: 	
		Size(mm)	Acceptable Quantity
		$X \leq 3\text{mm}$ $Y \leq 3\text{mm}$ $Z \leq T$	Ignore T: Glass thickness X: Length Y: Width Z: thickness
		2. Side Fragment: 	
		Size(mm)	Acceptable Quantity
		$X \leq 5.0\text{mm}$ $Y \leq 3\text{mm}$ $Z \leq T$	Ignore T: Glass thickness X: Length Y: Width Z: thickness
3.2.6	Touch panel spot	Size $\varphi$ (mm)	Acceptable Quantity
		$\varphi \leq 0.25$	Ignore
		$0.25 < \varphi \leq 0.5$	4
		$0.5 < \varphi$	0



 OUTGOING QUALITY STANDARD		PAGE 5 OF 5	
TITLE:FUNCTIONAL TEST & INSPECTION CRITERIA			
3.2.7	Touch panel White line Scratch	Width(mm) Length(mm)	Acceptable Quantity
		$W \leq 0.03$	Ignore
		$0.03 < W \leq 0.05$ $L \leq 5.0$	4
		$0.05 < W$ or $L > 5$	Not allowed
3.2.8	Touch panel Newton ring	Compare with limit sample	

Note:

1. Dot defect is defined as the defective area of the dot area is larger than 50% of the dot area.
2. The distance between black dot defects or black and bright dot defects should be more than 5mm apart. The distance between two bright dot defects should be more than 15mm apart
3. Polarizer bubble is defined as the bubble appears on active display area. The defect of polarizer bubble shall be ignored if the polarizer bubble appears on the outside of active display area.
4. Mura is checker by 6% ND filter.
5. Foreign particle on the surface of the LCM should be ignore.



## ■ PRECAUTIONS FOR USING LCD MODULES

### 1 Handling Precautions

- 1.1 The display panel is made of glass and polarizer. As glass is fragile. It tends to become or chipped during handling especially on the edges. Please avoid dropping or jarring. Do not subject it to a mechanical shock by dropping it or impact.
- 1.2 If the display panel is damaged and the liquid crystal substance leaks out, be sure not to get any in your mouth. If the substance contacts your skin or clothes, wash it off using soap and water.
- 1.3 Do not apply excessive force to the display surface or the adjoining areas since this may cause the color tone to vary. Do not touch the display with bare hands. This will stain the display area and degraded insulation between terminals (some cosmetics are determined to the polarizer).
- 1.4 The polarizer covering the display surface of the LCD module is soft and easily scratched. Handle this polarizer carefully. Do not touch, push or rub the exposed polarizers with anything harder than an HB pencil lead (glass, tweezers, etc.). Do not put or attach anything on the display area to avoid leaving marks on it. Condensation on the surface and contact with terminals due to cold will damage, stain or dirty the polarizer. After products are tested at low temperature they must be warmed up in a container before coming in to contact with room temperature air.
- 1.5 If the display surface becomes contaminated, breathe on the surface and gently wipe it with a soft dry cloth. If it is heavily contaminated, moisten cloth with one of the following solvents
  - Isopropyl alcohol
  - Ethyl alcoholDo not scrub hard to avoid damaging the display surface.
- 1.6 Solvents other than those above-mentioned may damage the polarizer. Especially, do not use the following.
  - Water
  - Ketone
  - Aromatic solventsWipe off saliva or water drops immediately, contact with water over a long period of time may cause deformation or color fading. Avoid contact with oil and fats.
- 1.7 Exercise care to minimize corrosion of the electrode. Corrosion of the electrodes is accelerated by water droplets, moisture condensation or a current flow in a high-humidity environment.
- 1.8 Install the LCD Module by using the mounting holes. When mounting the LCD module make sure it is free of twisting, warping and distortion. In particular, do not forcibly pull or bend the I/O cable or the backlight cable.
- 1.9 Do not attempt to disassemble or process the LCD module.
- 1.10 NC terminal should be open. Do not connect anything.
- 1.11 If the logic circuit power is off, do not apply the input signals.
- 1.12 Electro-Static Discharge Control, Since this module uses a CMOS LSI, the same careful attention should be paid to electrostatic discharge as for an ordinary CMOS IC. To prevent destruction of the elements by static electricity, be careful to maintain an optimum work environment.
  - Before removing LCM from its packing case or incorporating it into a set, be sure the module and your body have the same electric potential. Be sure to ground the body when handling the LCD modules.
  - Tools required for assembling, such as soldering irons, must be properly grounded. Make certain the AC power source for the soldering iron does not leak. When using an electric screwdriver to attach LCM, the screwdriver should be of ground potentiality to minimize as much as possible any transmission of electromagnetic waves produced sparks coming from the commutator of the motor.
  - To reduce the amount of static electricity generated, do not conduct assembling

and other work under dry conditions. To reduce the generation of static electricity be careful that the air in the work is not too dry. A relative humidity of 50%-60% is recommended. As far as possible make the electric potential of your work clothes and that of the work bench the ground potential.

- The LCD module is coated with a film to protect the display surface. Exercise care when peeling off this protective film since static electricity may be generated.

1.13 Since LCM has been assembled and adjusted with a high degree of precision, avoid applying excessive shocks to the module or making any alterations or modifications to it.

- Do not alter, modify or change the shape of the tab on the metal frame.
- Do not make extra holes on the printed circuit board, modify its shape or change the positions of components to be attached.
- Do not damage or modify the pattern writing on the printed circuit board.
- Absolutely do not modify the zebra rubber strip (conductive rubber) or heat seal connector.
- Except for soldering the interface, do not make any alterations or modifications with a soldering iron.
- Do not drop, bend or twist the LCM.

## 2 Handling precaution for LCM

2.1 LCM is easy to be damaged. Please note below and be careful for handling.

### 2.2 Correct handling:

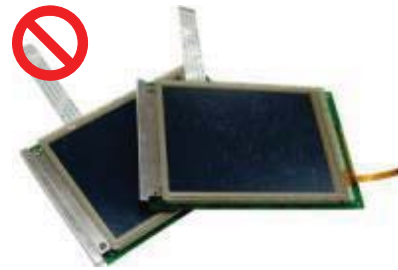


As above picture, please handle with anti-static gloves around LCM edges.

### 2.3 Incorrect handling:



Please don't touch IC directly.



Please don't stack LCM.



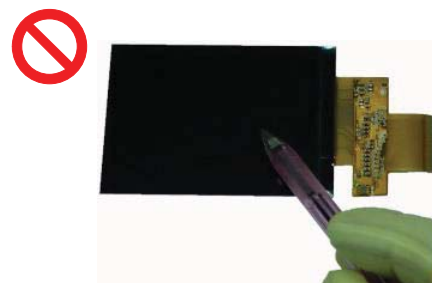
Please don't hold the surface of panel.



Please don't stretch interface of output, such as FPC cable.



Please don't hold the surface of IC.



Please don't operate with sharp stick such as pens.

### 3 Storage Precautions

3.1 When storing the LCD modules, the following precaution are necessary.

- 3.1.1 Store them in a sealed polyethylene bag. If properly sealed, there is no need for the desiccant.
- 3.1.2 Store them in a dark place. Do not expose to sunlight or fluorescent light, keep the temperature between 0°C and 35°C, and keep the relative humidity between 40%RH and 60%RH.
- 3.1.3 The polarizer surface should not come in contact with any other objects (We advise you to store them in the anti-static electricity container in which they were shipped).

### 3.2 Others 其它

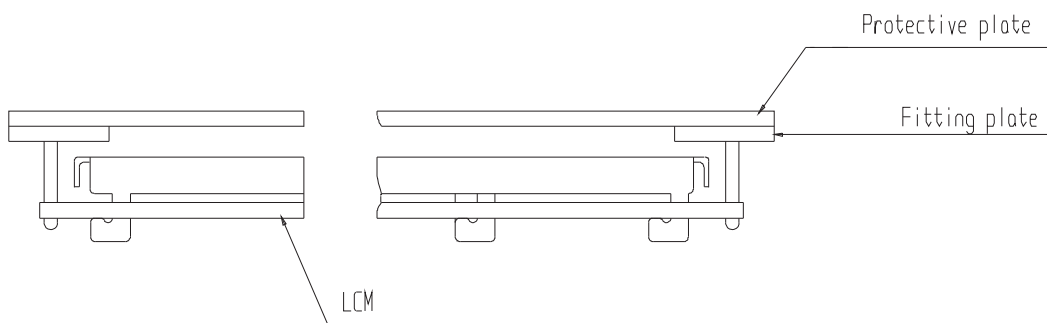
- 3.2.1 Liquid crystals solidify under low temperature (below the storage temperature range) leading to defective orientation or the generation of air bubbles (black or white). Air bubbles may also be generated if the module is subject to a low temperature.
- 3.2.2 If the LCD modules have been operating for a long time showing the same display patterns, the display patterns may remain on the screen as ghost images and a slight contrast irregularity may also appear. A normal operating status can be regained by suspending use for some time. It should be noted that this phenomenon does not adversely affect performance reliability.
- 3.2.3 To minimize the performance degradation of the LCD modules resulting from destruction caused by static electricity etc., exercise care to avoid holding the following sections when handling the modules.
  - 3.2.3.1 - Exposed area of the printed circuit board.
  - 3.2.3.2 -Terminal electrode sections.

## 4 USING LCD MODULES

### 4.1 Installing LCD Modules

The hole in the printed circuit board is used to fix LCM as shown in the picture below. Attend to the following items when installing the LCM.

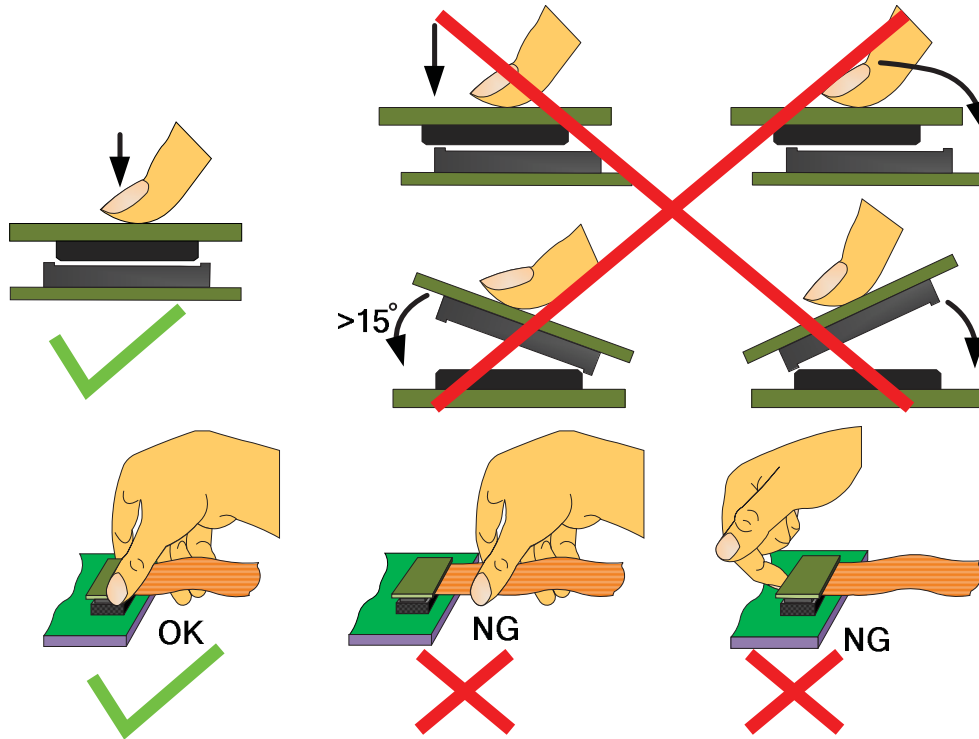
4.1.1 Cover the surface with a transparent protective plate to protect the polarizer and LC cell.



4.1.2 When assembling the LCM into other equipment, the spacer to the bit between the LCM and the fitting plate should have enough height to avoid causing stress to the module surface, refer to the individual specifications for measurements. The measurement tolerance should be  $\pm 0.1$ mm.

#### 4.2 Precaution for assemble the module with BTB connector:

Please note the position of the male and female connector position, don't assemble or assemble like the method which the following picture shows





### 4.3 Precaution for soldering the LCM

	Manual soldering	Machine drag soldering	Machine press soldering
No RoHS Product	290°C ~350°C. Time : 3-5S.	330°C ~350°C. Speed : 15-17 mm/s.	300°C ~330°C. Time : 3-6S. Press: 0.8~1.2Mpa
RoHS Product	340°C ~370°C. Time : 3-5S.	350°C ~370°C. Speed : 15-17 mm/s.	330°C ~360°C. Time : 3-6S. Press: 0.8~1.2Mpa

- 4.3.1 If soldering flux is used, be sure to remove any remaining flux after finishing to soldering operation (This does not apply in the case of a non-halogen type of flux). It is recommended that you protect the LCD surface with a cover during soldering to prevent any damage due to flux spatters.
- 4.3.2 When soldering the electroluminescent panel and PC board, the panel and board should not be detached more than three times. This maximum number is determined by the temperature and time conditions mentioned above, though there may be some variance depending on the temperature of the soldering iron.
- 4.3.3 When remove the electroluminescent panel from the PC board, be sure the solder has completely melted, the soldered pad on the PC board could be damaged.

### 4.4 Precautions for Operation

- 4.4.1 Viewing angle varies with the change of liquid crystal driving voltage (VLCD). Adjust VLCD to show the best contrast.
- 4.4.2 It is an indispensable condition to drive LCD's within the specified voltage limit since the higher voltage then the limit cause the shorter LCD life. An electrochemical reaction due to direct current causes LCD's undesirable deterioration, so that the use of direct current drive should be avoided.
- 4.4.3 Response time will be extremely delayed at lower temperature than the operating temperature range and on the other hand at higher temperature LCD's show dark color in them. However those phenomena do not mean malfunction or out of order with LCD's, which will come back in the specified operating temperature.
- 4.4.4 If the display area is pushed hard during operation, the display will become abnormal. However, it will return to normal if it is turned off and then back on.
- 4.4.5 A slight dew depositing on terminals is a cause for electro-chemical reaction resulting in terminal open circuit. Usage under the maximum operating temperature, 50%RH or less is required.
- 4.4.6 Input logic voltage before apply analog high voltage such as LCD driving voltage when power on. Remove analog high voltage before logic voltage when power off the module. Input each signal after the positive/negative voltage becomes stable.
- 4.4.7 Please keep the temperature within the specified range for use and storage. Polarization degradation, bubble generation or polarizer peel-off may occur with high temperature and high humidity.

### 4.5 Safety

- 4.5.1 It is recommended to crush damaged or unnecessary LCDs into pieces and wash them off with solvents such as acetone and ethanol, which should later be burned.
- 4.5.2 If any liquid leaks out of a damaged glass cell and comes in contact with the hands, wash off thoroughly with soap and water.



#### 4.6 Limited Warranty

Unless agreed between Multi-Inno and the customer, Multi-Inno will replace or repair any of its LCD modules which are found to be functionally defective when inspected in accordance with Multi-Inno LCD acceptance standards (copies available upon request) for a period of one year from date of production. Cosmetic/visual defects must be returned to Multi-Inno within 90 days of shipment. Confirmation of such date shall be based on data code on product. The warranty liability of Multi-Inno limited to repair and/or replace on the terms set forth above. Multi-Inno will not be responsible for any subsequent or consequential events.

#### 4.7 Return LCM under warranty

4.7.1 No warranty can be granted if the precautions stated above have been disregarded. The typical examples of violations are :

4.7.1.1 - Broken LCD glass.

4.7.1.2 - PCB eyelet is damaged or modified.

4.7.1.3 -PCB conductors damaged.

4.7.1.4 - Circuit modified in any way, including addition of components.

4.7.1.5 - PCB tampered with by grinding, engraving or painting varnish.

4.7.1.6 - Soldering to or modifying the bezel in any manner.

4.7.2 Module repairs will be invoiced to the customer upon mutual agreement. Modules must be returned with sufficient description of the failures or defects. Any connectors or cable installed by the customer must be removed completely without damaging the PCB eyelet, conductors and terminals.

### ■ PACKING SPECIFICATION

Please consult our technical department for detail information.

### ■ PRIOR CONSULT MATTER

- 1 For Multi-Inno standard products, we keep the right to change material, process ... for improving the product property without prior notice to our customer.
- 2 For OEM products, if any changes are needed which may affect the product property, we will consult with our customer in advance.
- 3 If you have special requirement about reliability condition, please let us know before you start the test on our samples.